

DRAWING INDEX

DRAWING NUMBER	DRAWING NAME	DRAWING REVISION
AV-S-00	INDEX SUMMARY PAGE	D
AV-S-01	MEETING/COLLABORATION (SMALL ENVIRONMENT)	C
AV-S-02	MEETING/COLLABORATION (MEDIUM ENVIRONMENT)	C
AV-S-03	MEETING/COLLABORATION (LARGE ENVIRONMENT)	C
AV-S-04	MOBILE COMPUTER ON WHEELS (MoCoW)	D
AV-S-05	DIGITAL SIGNAGE	D
AV-S-06	LECTURE THEATRE	L
AV-S-07	BUILDING BLOCKS – FLAT FLOOR TEACHING	A
AV-S-08	FLAT-FLOOR TEACHING SPACE (PROJECTION)	A
AV-S-09	FLAT-FLOOR TEACHING SPACE (LCD – INTERACTIVE)	A
AV-S-10	BUILDING BLOCKS – FLAT FLOOR TEACHING (CAV)	E
AV-S-11	FLAT-FLOOR TEACHING SPACE (PROJECTION- CAV)	C
AV-S-12	FLAT-FLOOR TEACHING SPACE (LCD – INTERACTIVE - CAV)	C
AV-S-13	BUILDING BLOCKS – COLLABORATIVE LEARNING	B
AV-S-14	COLLABORATIVE LEARNING (INPUTS)	B
AV-S-15	COLLABORATIVE LEARNING (DISPLAYS)	B

GENERAL NOTES

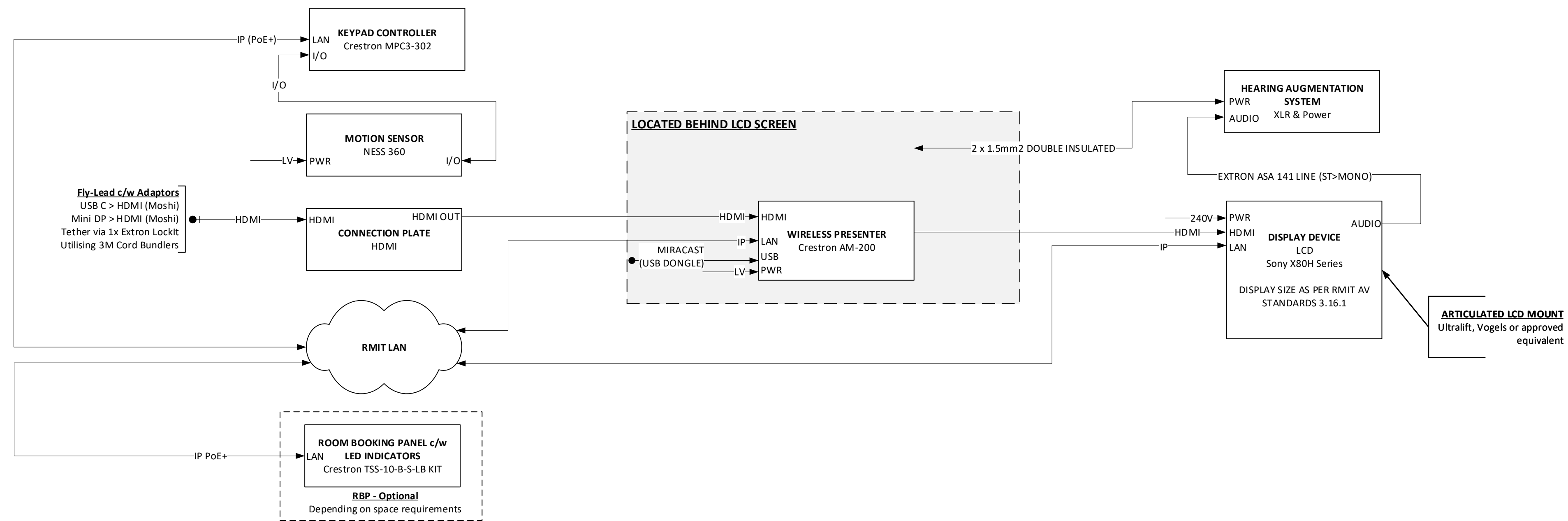
- The AV integrator shall co-ordinate final power & data requirements including final locations
- At a minimum, the following security shall be supplied & installed by the AV contractor:
 - USB Document Camera – Kensington Lock
 - LCD screen(s) – Split pin
- At a minimum, the following shall be installed by the AV contractor
 - PC - Tethering cable & lock (provided by RMIT Field Services)
 - Projector(s) – Padlock
- An appropriate length Laptop HDMI cable to be labelled and secured with a P-clip beneath the desk. Refer AV standards section 3.11.6
- Where AV equipment has colour options, the appropriate colour shall be chosen to match the room environment
- Equipment to be secured under the teachers desk with appropriate brackets including any power supplies (Extron ZipClip 100)
- IP Desk Phone to be cabled and installed by the AV Integrator
- All items/lines marked as dashed are optional

ANY DEVIATION FROM THE ABOVE AV STANDARD MUST BE APPROVED BY RMIT AV

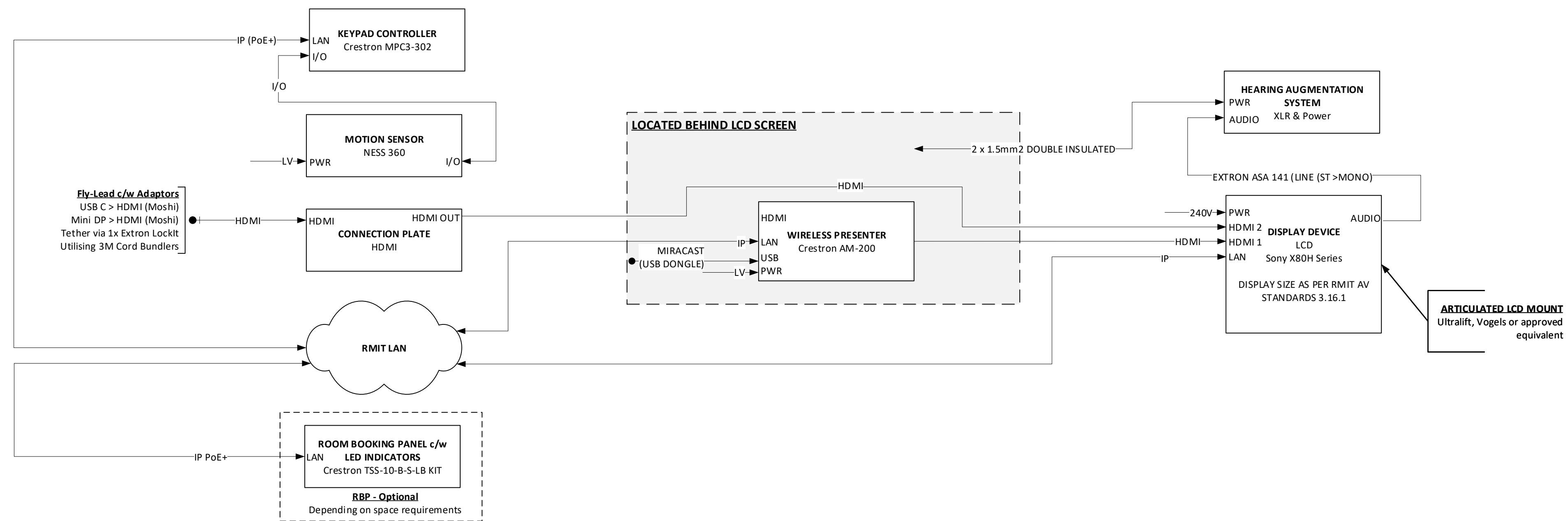
D	ITS AVS 3.20 PRELIM	14 OCT 20	JW																
C	ITS AVS 3.10 ISSUE	XX XXX 19	NK																
B	ITS AVS 3.00 ISSUE	04 MAY 18	NK																
A	ITS AVS 2.21 ISSUE	08 OCT 15	NK																
REV	PURPOSE OF ISSUE	DATE	ISSUED BY	PAPER SIZE	SCALE	SHEET	DESIGNED	DRAWN	CHECKED	PROJECT REF NO	DOCUMENT REF NO	REV							
				A1	NTS	X OF X	JC	JW	-	AV STANDARD	AV-S-00	D							



DRAWING DESCRIPTION:	
AV SCHEMATIC INDEX SUMMARY PAGE	
PROJECT NAME:	
RMIT AV STANDARDS	



1 SMALL
- NTS



1 SMALL (4K)
- NTS

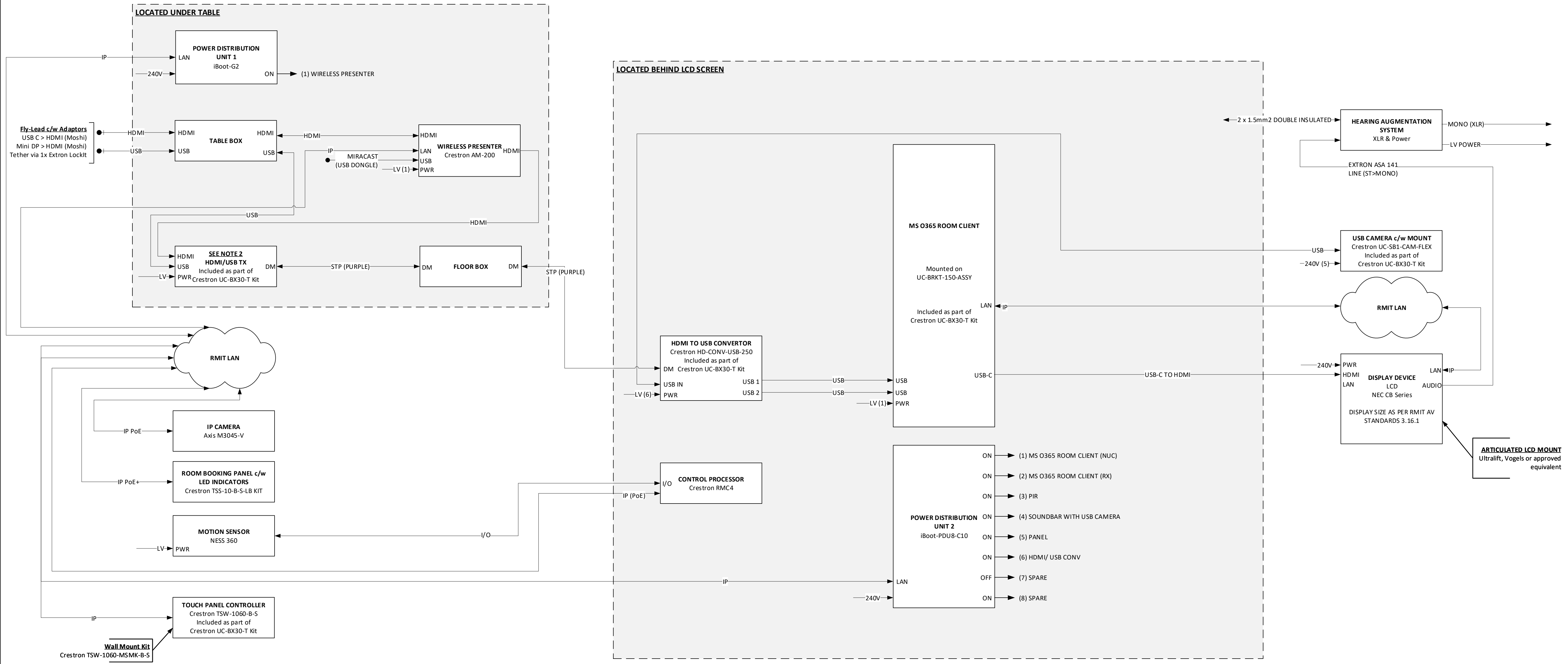
NOTES – MEETING/CONFERENCE ROOM SPECIFIC
1. Refer general notes on AV-S-00

ANY DEVIATION FROM THE ABOVE AV STANDARD MUST BE APPROVED BY RMIT AV

C	ITS AVS 3.20 DRAFT	14 OCT 20	JW
B	ITS AVS 3.10 ISSUE	XX XXX 19	NK
A	ITS AVS 3.00 ISSUE	04 MAY 18	NK
REV	PURPOSE OF ISSUE	DATE	ISSUED BY



DRAWING DESCRIPTION			
AV SCHEMATIC MEETING/COLLABORATION – SMALL ENVIRONMENT			
PROJECT NAME			
RMIT AV STANDARDS			
DESIGNED	DRAWN	CHECKED	PROJECT REF NO
JC	JW	-	AV STANDARD
DOCUMENT REF NO	REV		
AV-S-01	C		



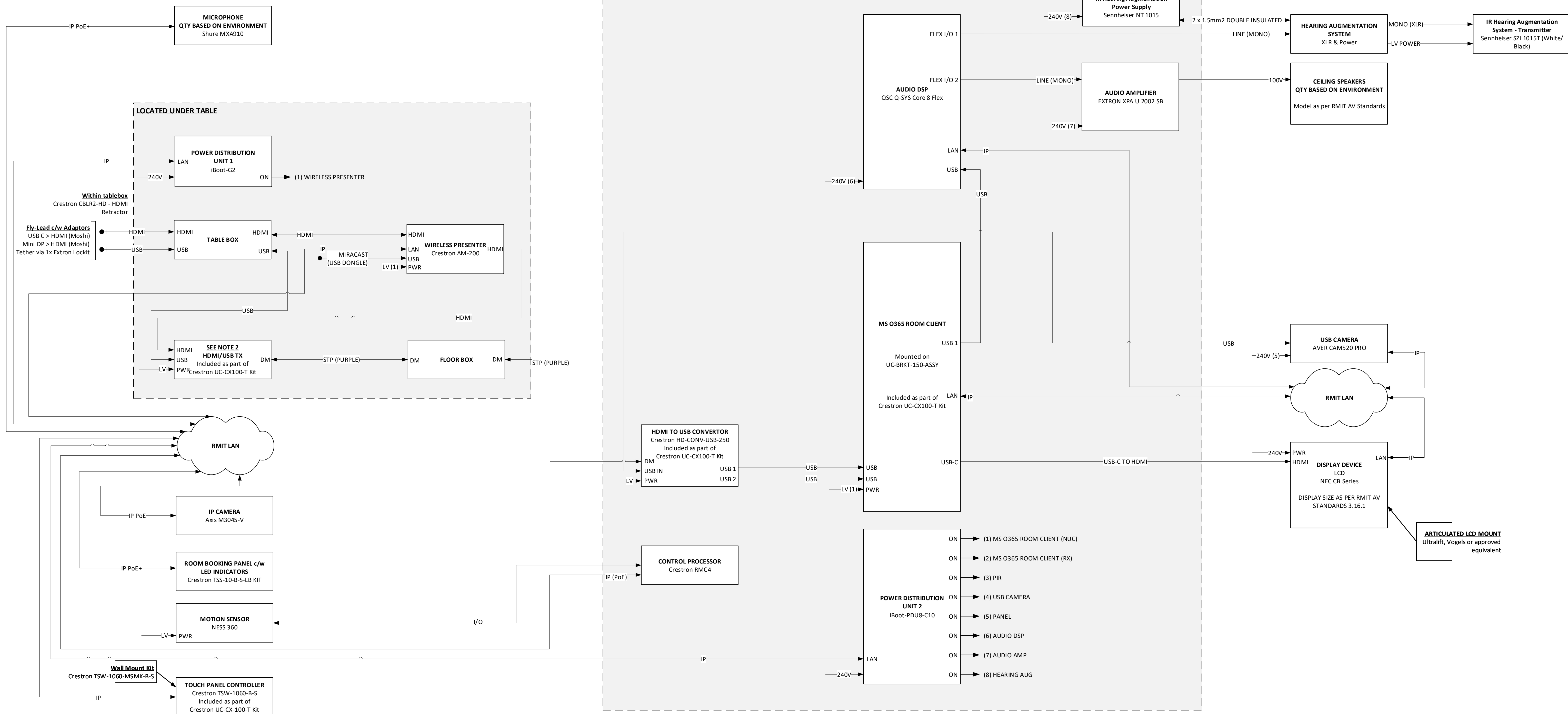
1 MEDIUM
- NTS

NOTES – MEETING/CONFERENCE ROOM SPECIFIC
 1. Refer general notes on AV-S-00
 2. Crestron yet to release model specific details as part of the UC-BX30-T Kit. Functionality and component based on discussions with Crestron.

ANY DEVIATION FROM THE ABOVE AV STANDARD MUST BE APPROVED BY RMIT AV

REV	PURPOSE OF ISSUE	DATE	ISSUED BY	PAPER SIZE	SCALE	SHEET	DESIGNED	DRAWN	CHECKED	PROJECT REF NO	DOCUMENT REF NO	REV
C	ITS AVS 3.20 DRAFT	14 OCT 20	JW	A1	NTS	X OF X	JC	JW	-	AV STANDARD	AV-S-02	C
B	ITS AVS 3.10 ISSUE	XX XXX 19	NK									
A	ITS AVS 3.00 ISSUE	04 MAY 18	NK									

RMIT UNIVERSITY
 AV SCHEMATIC
 MEETING/COLLABORATION – MEDIUM ENVIRONMENT
 PROJECT NAME
 RMIT AV STANDARDS



1 LARGE
- NTS

NOTES – MEETING/CONFERENCE ROOM SPECIFIC
 1. Refer general notes on AV-S-00
 2. Crestron yet to release model specific details as part of the UC-CX100-T Kit
 Functionality and component based on discussions with Crestron.

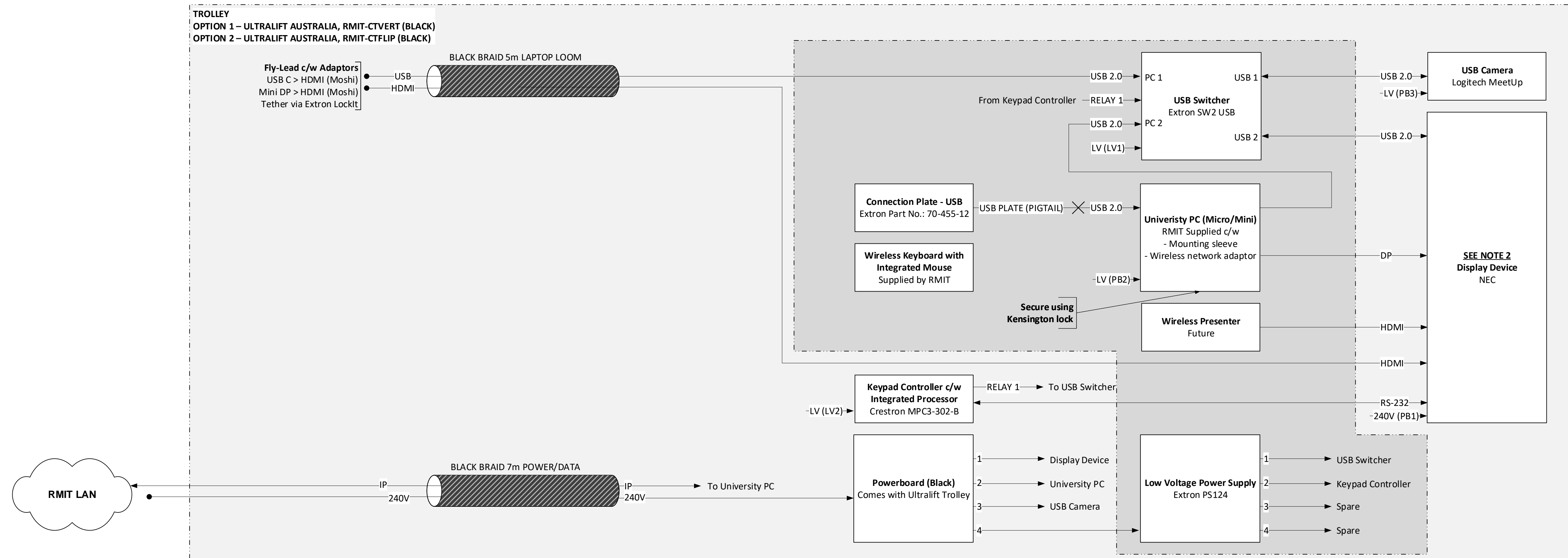
ANY DEVIATION FROM THE ABOVE AV STANDARD MUST BE APPROVED BY RMIT AV

REV	PURPOSE OF ISSUE	DATE	ISSUED BY	PAPER SIZE	SCALE	SHEET	DESIGNED	DRAWN	CHECKED	PROJECT REF NO	DOCUMENT REF NO	REV
C	ITS AVS 3.20 DRAFT	14 OCT 20	JW	A1	NTS	X OF X	JC	JW	-	AV STANDARD	AV-S-03	C
B	ITS AVS 3.10 ISSUE	XX XXX 19	NK									
A	ITS AVS 3.00 ISSUE	04 MAY 18	NK									

RMIT UNIVERSITY

DRIVING DESCRIPTION:
 AV SCHEMATIC
 MEETING/COLLABORATION – LARGE ENVIRONMENT

PROJECT NAME:
 RMIT AV STANDARDS



1 SYSTEM AV SCHEMATIC
 NTS



1 KEYPAD LAYOUT
 NTS

NOTES – MOCOW SPECIFIC
 1. Refer general notes on AV-S-00
 2. Final model(s) yet to be determined - Check RMIT ITS AV Standards 3.2

ANY DEVIATION FROM THE ABOVE AV STANDARD MUST BE APPROVED BY RMIT AV

D	ITS AVS 3.20 PRELIM	14 OCT 20	JW
C	ITS AVS 3.10 ISSUE	XX XXX 19	NK
B	ITS AVS 3.00 ISSUE	04 MAY 18	NK
A	ITS AVS 2.21 ISSUE	08 OCT 15	NK
REV	PURPOSE OF ISSUE	DATE	ISSUED BY

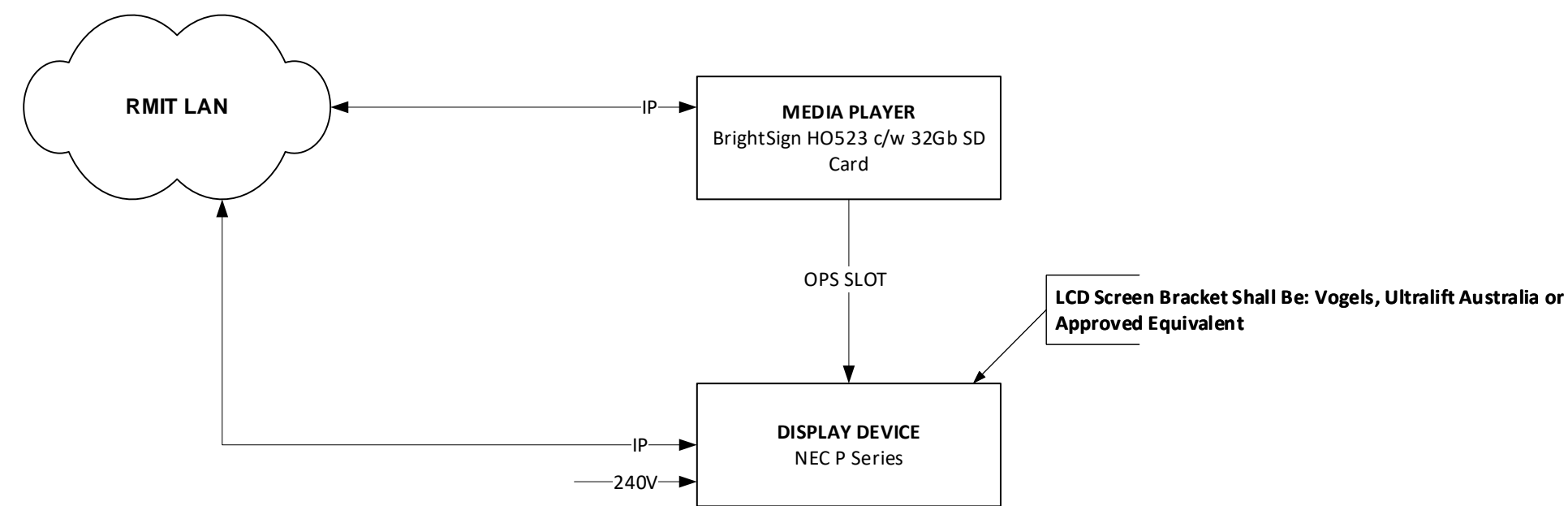
RMIT UNIVERSITY

DRIVING DESCRIPTION:
 AV SCHEMATIC
 MOBILE COMPUTER ON WHEELS (MoCoW)

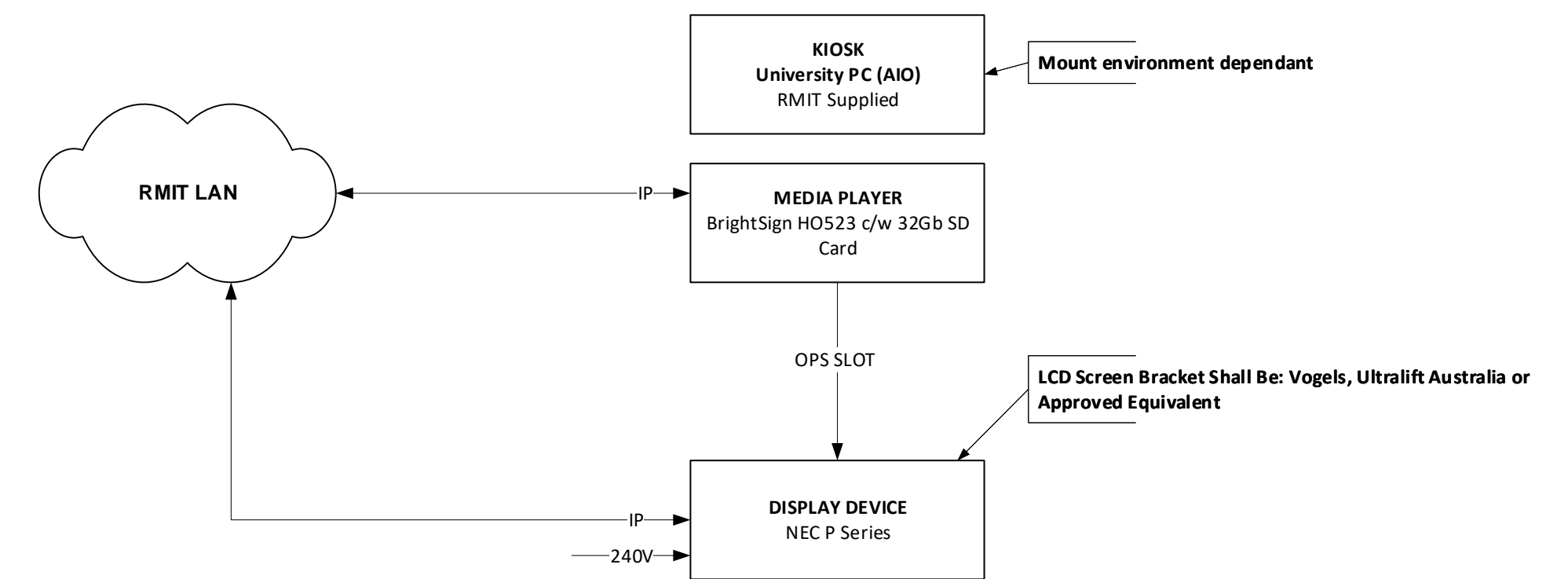
PROJECT NAME:
 RMIT AV STANDARDS

DESIGNED	DRAWN	CHECKED	PROJECT REF NO	DOCUMENT REF NO	REV
JC	JW	-	AV STANDARD	AV-S-04	D

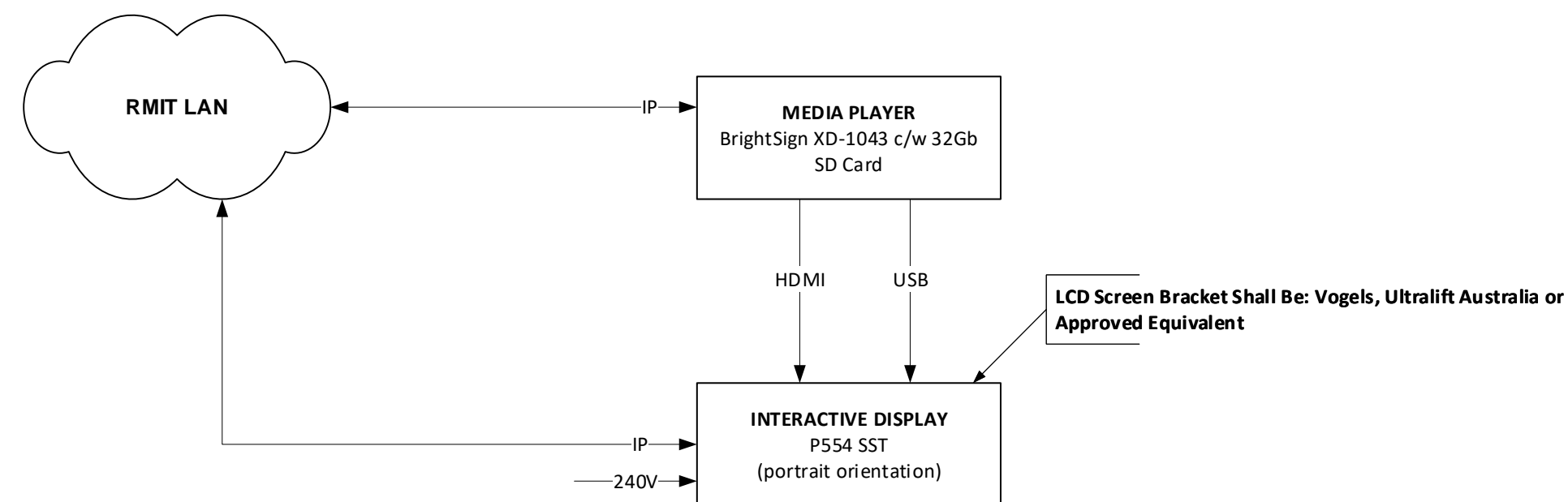
PAPER SIZE	SCALE	SHEET
A1	NTS	X OF X



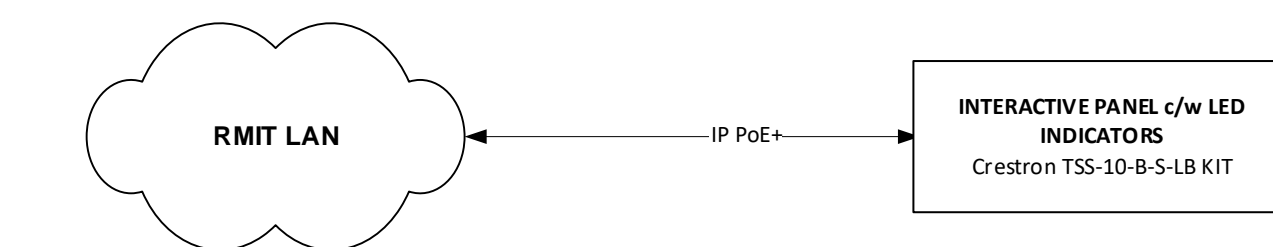
1 STANDARD DIGITAL SIGNAGE (NO WAY-FINDING)
NTS



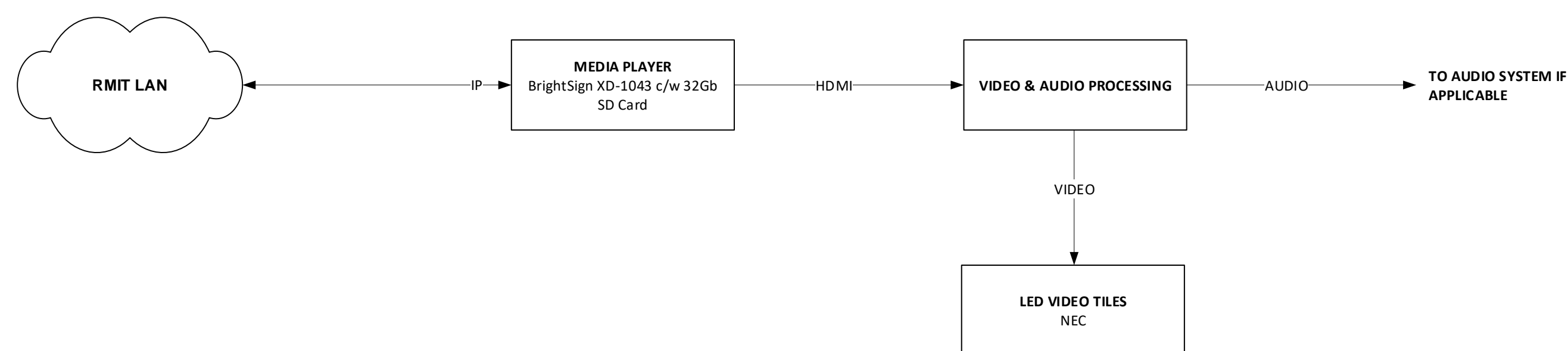
5 Q-LESS
NTS



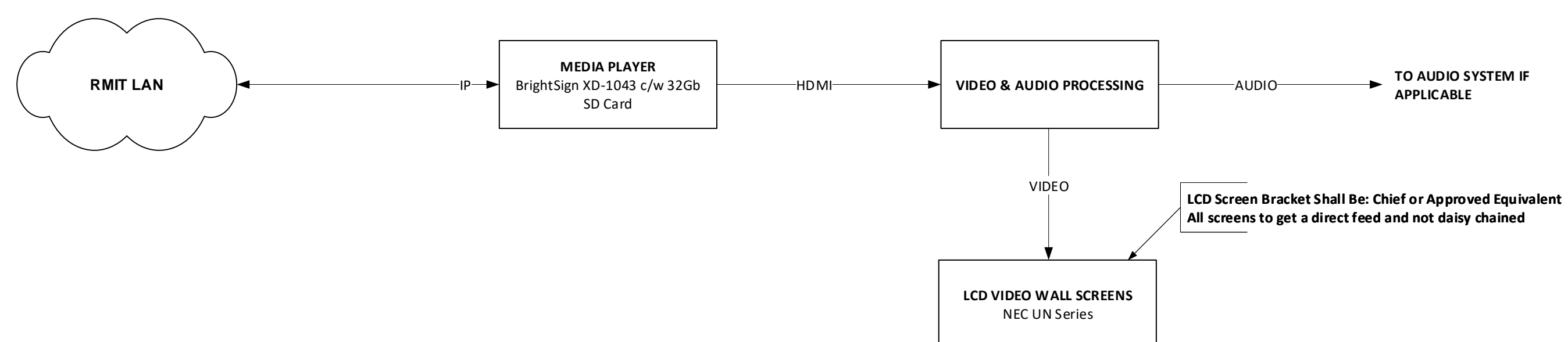
2 DIGITAL SIGNAGE (INCLUDING WAY-FINDING)
NTS



6 TIMETABLING
NTS



3 DIGITAL SIGNAGE (LARGE FORMAT - LED)
NTS



4 DIGITAL SIGNAGE (LARGE FORMAT - LCD VIDEO WALL)
NTS

NOTES - DIGITAL SIGNAGE SPECIFIC

1. Refer general notes on AV-S-00

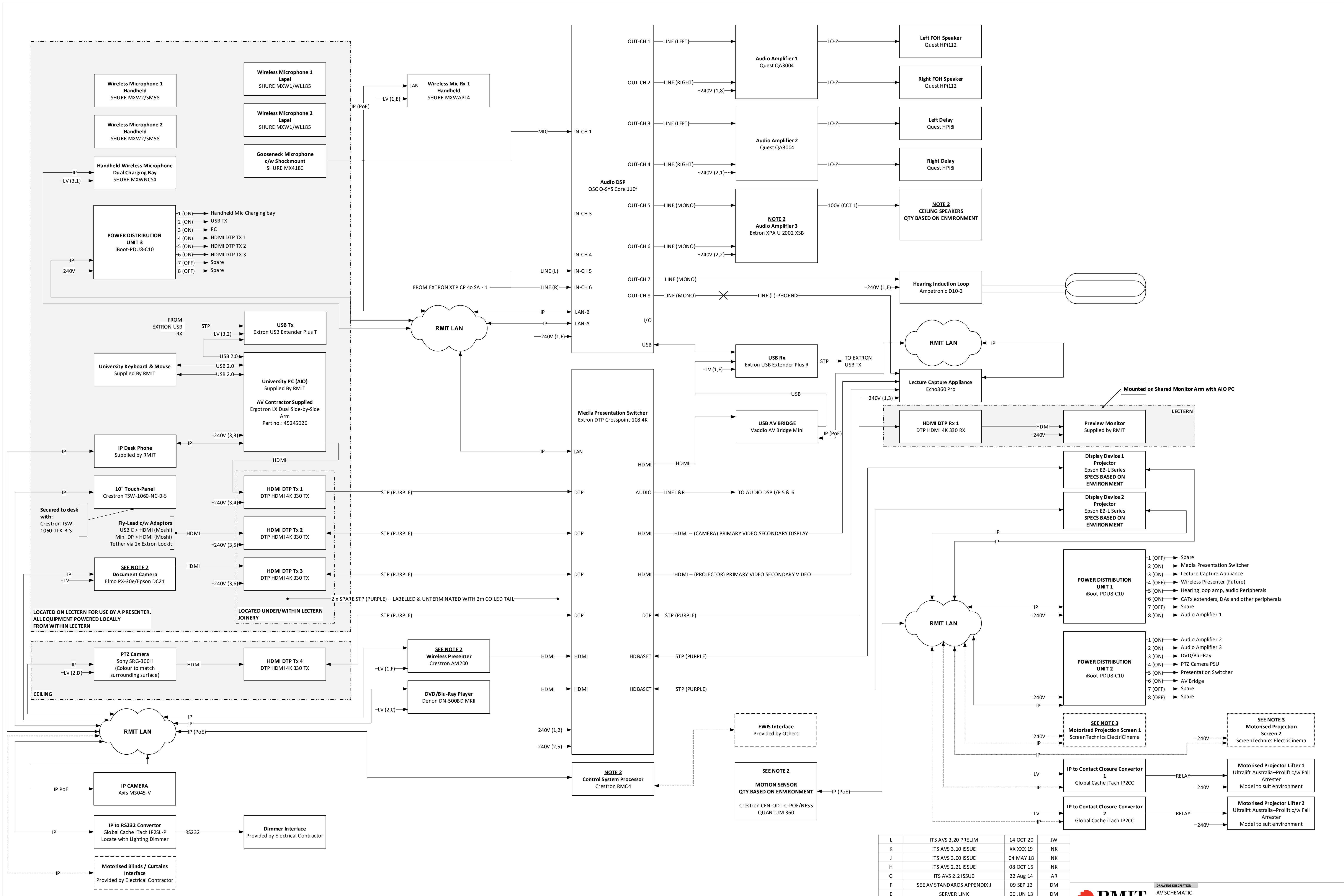
ANY DEVIATION FROM THE ABOVE AV STANDARD MUST BE APPROVED BY RMIT AV

D	ITS AVS 3.20 PRELIM	14 OCT 20	JW
C	ITS AVS 3.10 ISSUE	XX XXX 19	NK
B	ITS AVS 3.00 ISSUE	04 MAY 18	NK
A	ITS AVS 2.21 ISSUE	08 OCT 15	NK
REV	PURPOSE OF ISSUE	DATE	ISSUED BY



DRAWING DESCRIPTION		AV SCHEMATIC	
DIGITAL SIGNAGE		PROJECT NAME	
RMIT AV STANDARDS			
DESIGNED	DRAWN	CHECKED	PROJECT REF NO
JC	JW	-	AV STANDARD
DOCUMENT REF NO	AV-S-05	REV	D

PAPER SIZE	SCALE	SHEET
A1	NTS	X OF X



NOTES – LECTURE THEATRE SPECIFIC
 1. Refer general notes on AV-S-00
 2. Final model(s) yet to be determined - Check RMIT ITS AV Standards 3.2
 3. Optional – Depending on space

ANY DEVIATION FROM THE ABOVE AV STANDARD MUST BE APPROVED BY RMIT AV

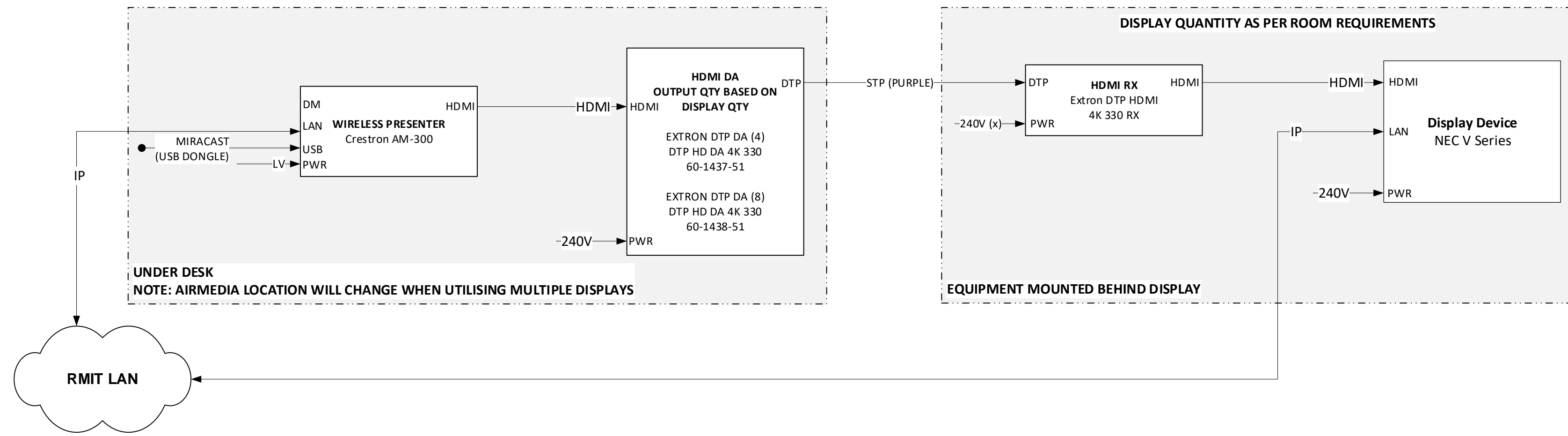
REV	PURPOSE OF ISSUE	DATE	ISSUED BY
L	ITS AVS 3.20 PRELIM	14 OCT 20	JW
K	ITS AVS 3.10 ISSUE	XX XXX 19	NK
J	ITS AVS 3.00 ISSUE	04 MAY 18	NK
H	ITS AVS 2.21 ISSUE	08 OCT 15	NK
G	ITS AVS 2.2 ISSUE	22 Aug 14	AR
F	SEE AV STANDARDS APPENDIX J	09 SEP 13	DM
E	SERVER LINK	06 JUN 13	DM
D	EQUIPMENT UPDATES	15 MAY 13	DM
C	ADDED HANDHELD MIC CHARGER	23 APR 13	DM
B	GENERAL AMENDMENTS & LECTURE CAPTURE	11 APR 13	DM
A	V2.0 APPROVED FOR ISSUE	5 APR 13	DM

RMIT UNIVERSITY

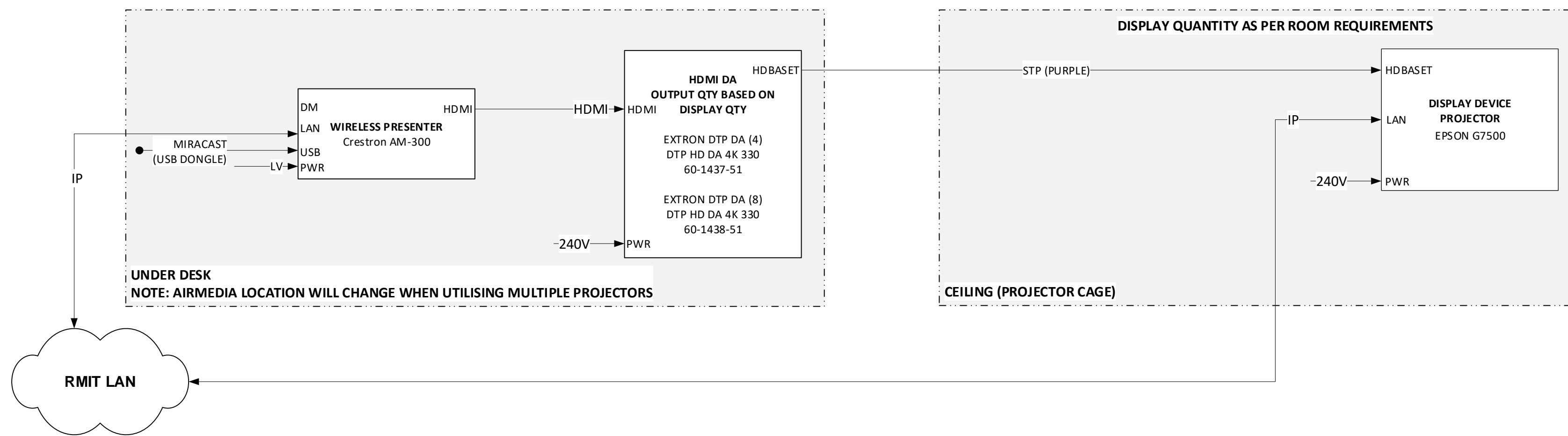
DRIVING DESCRIPTION:
 AV SCHEMATIC
 LECTURE THEATRE

PROJECT NAME:
 RMIT AV STANDARDS

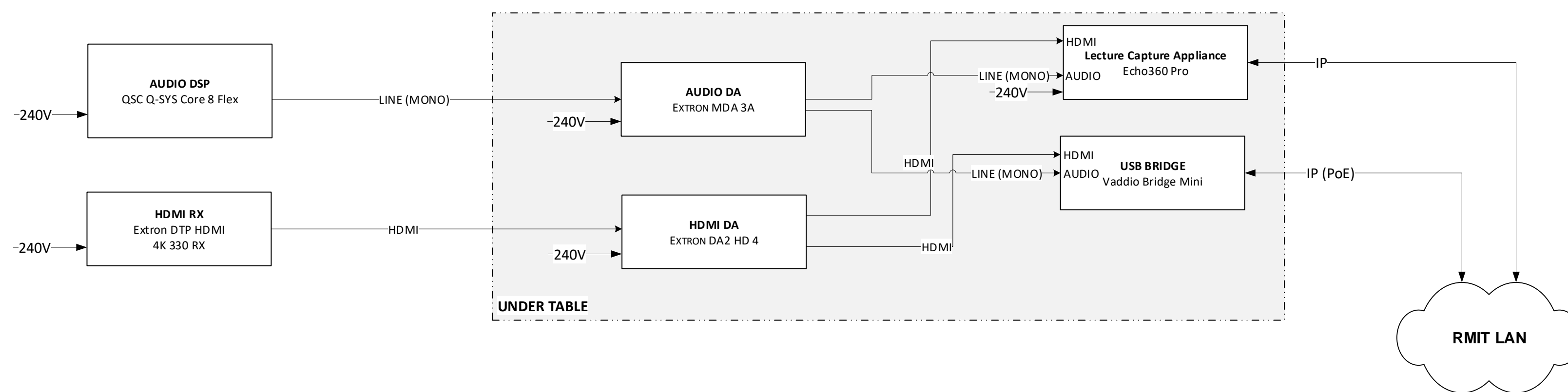
DESIGNED	DRAWN	CHECKED	PROJECT REF NO	DOCUMENT REF NO	REV
JC	JW	-	AV STANDARD	AV-S-06	L



1 ADDITIONAL/SUPPLEMENTARY LCD SCREEN
NTS



2 ADDITIONAL/SUPPLEMENTARY PROJECTOR
NTS

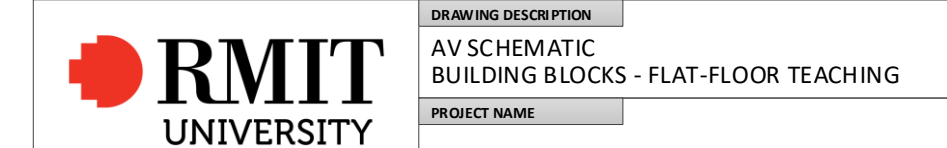


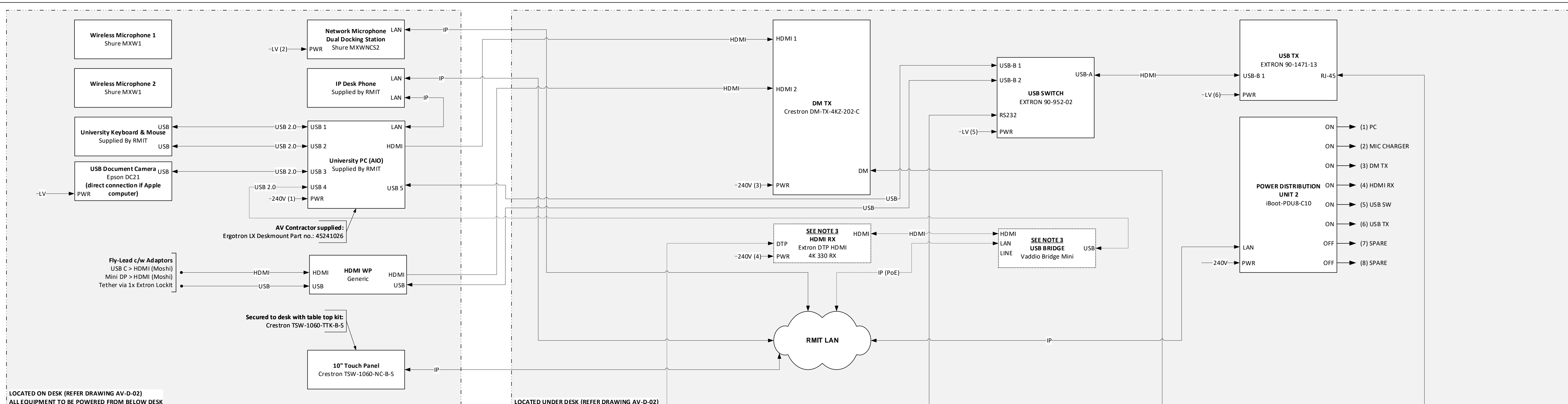
3 VADDIO & ECHO 360 OPTION
NTS

NOTES – FLAT-FLOOR TEACHING SPACE BUILDING BLOCKS SPECIFIC
1. Refer general notes on AV-S-00

ANY DEVIATION FROM THE ABOVE AV STANDARD MUST BE APPROVED BY RMIT AV

A	ITS AVS 3.20 DRAFT	14 OCT 20	JW	PAPER SIZE	SCALE	SHEET	DRAWING DESCRIPTION					
REV	PURPOSE OF ISSUE	DATE	ISSUED BY	A1	NTS	X OF X	AV SCHEMATIC BUILDING BLOCKS - FLAT-FLOOR TEACHING					
							PROJECT NAME					
							RMIT AV STANDARDS					
							DESIGNED	DRAWN	CHECKED	PROJECT REF NO	DOCUMENT REF NO	REV
							JC	JW	-	AV STANDARD	AV-S-07	A

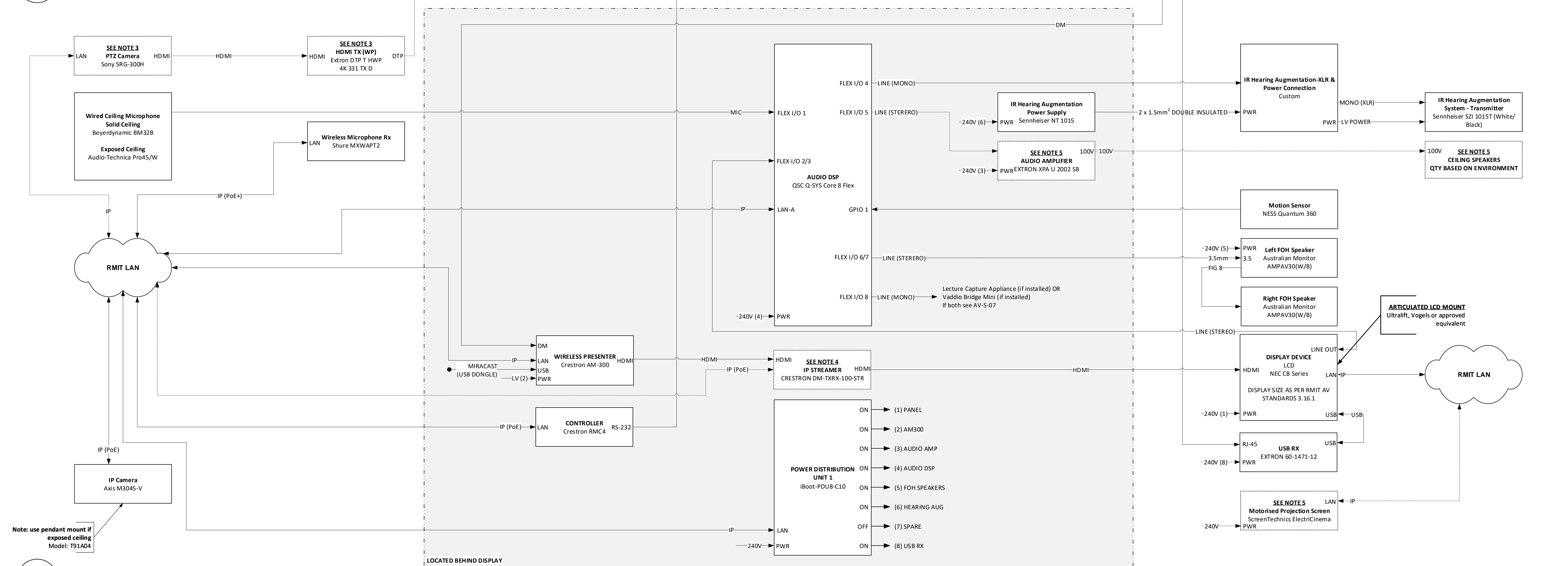




LOCATED ON DESK (REFER DRAWING AV-D-02)
ALL EQUIPMENT TO BE POWERED FROM BELOW DESK

LOCATED UNDER DESK (REFER DRAWING AV-D-02)

1 ACADEMIC'S DESK LOCATION
NTS



2 DISPLAY LOCATION
NTS

LOCATED BEHIND DISPLAY

NOTES – FLAT-FLOOR TEACHING SPACE SPECIFIC
 1. Refer general notes on AV-S-00
 2. Refer AV-S-07 if there is a requirement for supplementary displays
 3. Optional if remote learning is required
 4. Optional if room linking is required
 5. Optional – Depending on space

ANY DEVIATION FROM THE ABOVE AV STANDARD MUST BE APPROVED BY RMIT AV

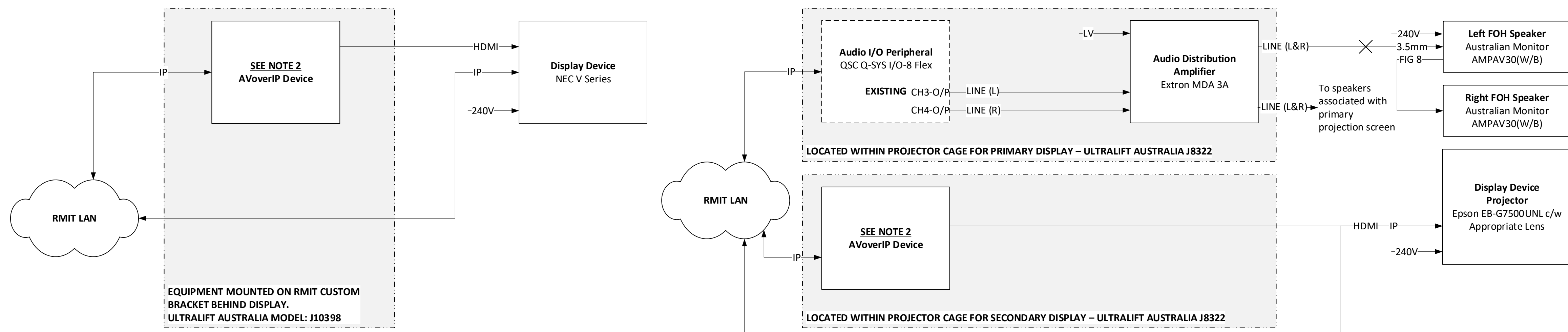
RMIT UNIVERSITY

DRIVING DESCRIPTION:
AV SCHEMATIC
FLAT-FLOOR TEACHING (LCD - INTERACTIVE)

PROJECT NAME:
RMIT AV STANDARDS

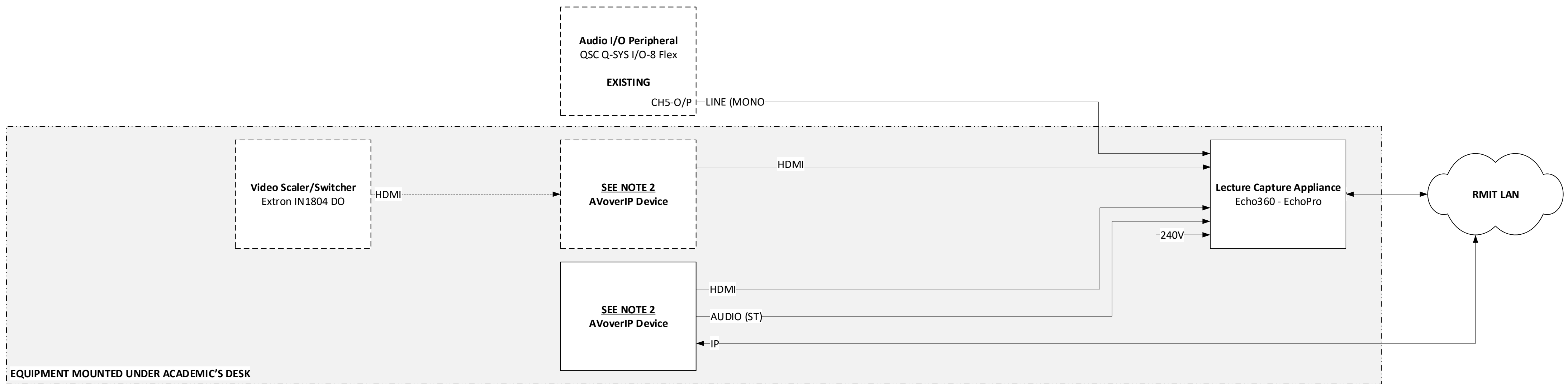
DESIGNED	DRAWN	CHECKED	PROJECT REF NO	DOCUMENT REF NO	REV
JC	JW	-	AV STANDARD	AV-S-09	A

A	ITS AVS 3.20 DRAFT	14 OCT 20	JW	PAPER SIZE	SCALE	SHEET
REV	PURPOSE OF ISSUE	DATE	ISSUED BY	A1	NTS	X OF X

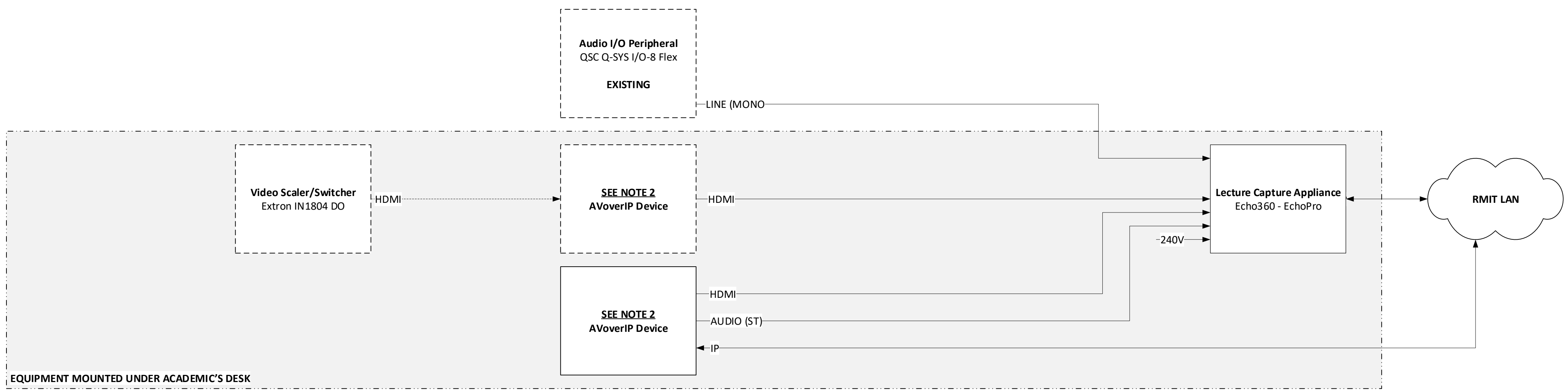


1 - ADDITIONAL/SUPPLEMENTARY LCD SCREEN
- NTS

2 - ADDITIONAL/SUPPLEMENTARY PROJECTOR
- NTS



3 - LECTURE CAPTURE – ECHO 360 PRO
- NTS



4 - LECTURE CAPTURE – PROJECTION (IN ROOM)
- NTS

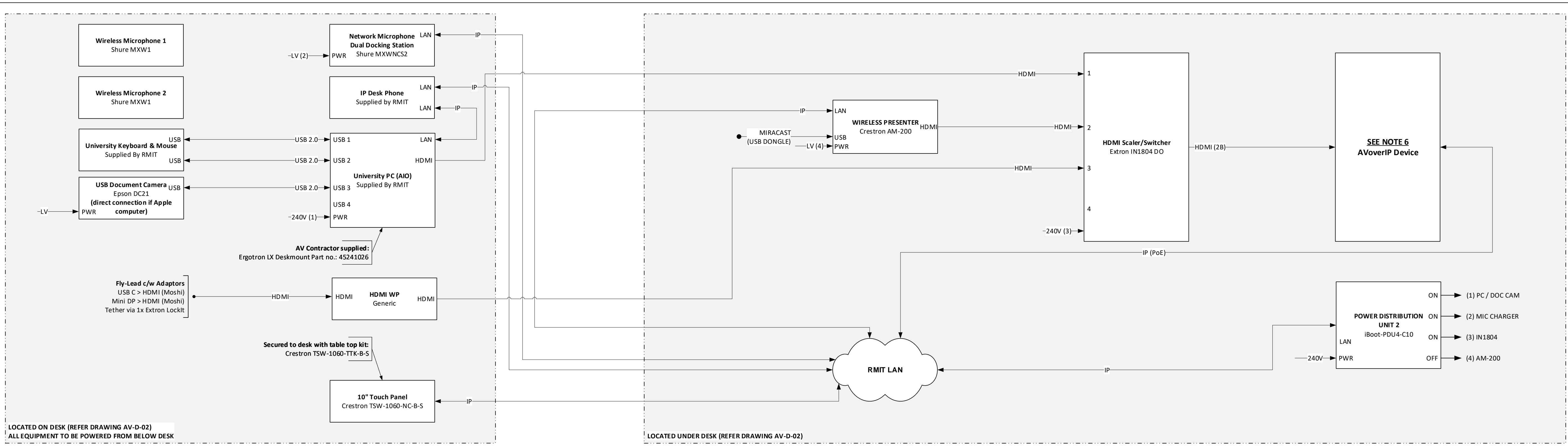
NOTES – FLAT-FLOOR TEACHING SPACE BUILDING BLOCKS SPECIFIC
1. Refer general notes on AV-S-00

ANY DEVIATION FROM THE ABOVE AV STANDARD MUST BE APPROVED BY RMIT AV

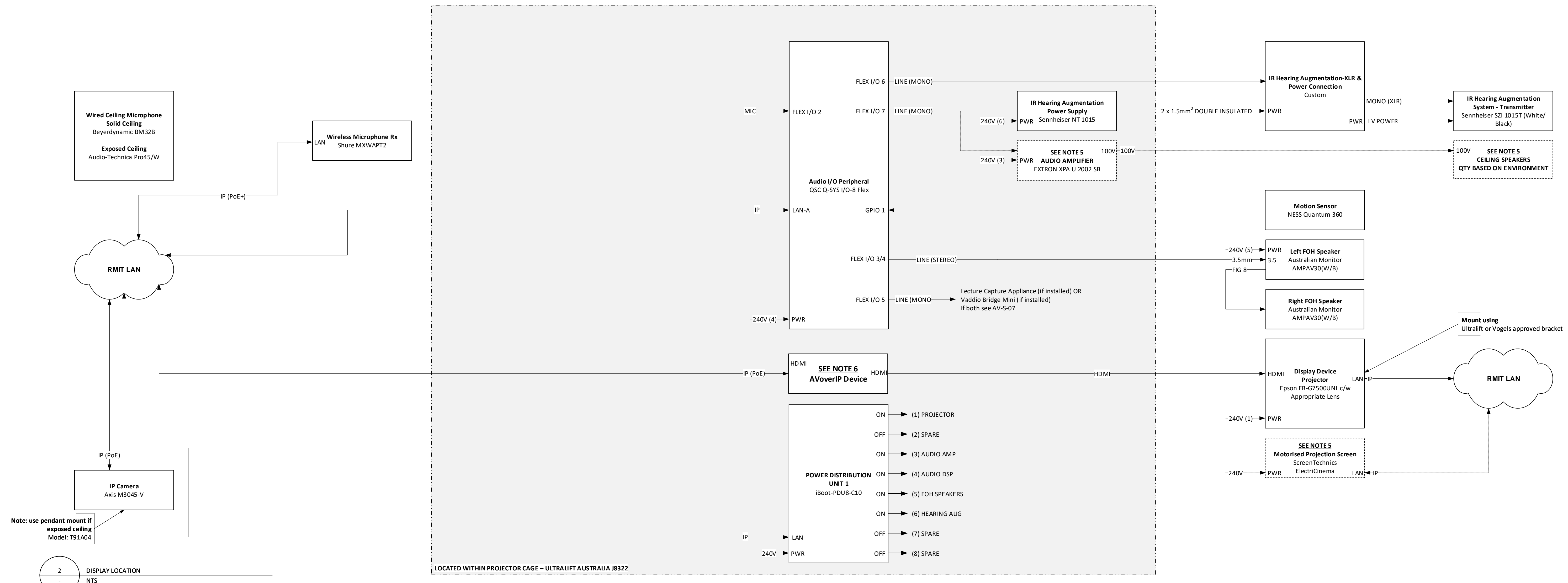
REV	PURPOSE OF ISSUE	DATE	ISSUED BY	PAPER SIZE	SCALE	SHEET	DESIGNED	DRAWN	CHECKED	PROJECT REF NO	DOCUMENT REF NO	REV
E	ITS AVS 3.20 DRAFT	14 OCT 20	JW	A1	NTS	X OF X	JC	JW	-	AV STANDARD	AV-S-10	E
D	ITS AVS 3.10 DRAFT	XX XXX 19	NK									
C	ITS AVS 3.00 ISSUE	04 MAY 18	NK									
B	ITS AVS 2.21 ISSUE	08 OCT 15	NK									
A	ITS AVS 2.2 ISSUE	22 Aug 14	AR									



DRIVING DESCRIPTION:
AV SCHEMATIC
BUILDING BLOCKS - FLAT-FLOOR TEACHING (CAV)
PROJECT NAME:
RMIT AV STANDARDS



1 ACADEMIC'S DESK LOCATION
NTS



2 DISPLAY LOCATION
NTS

NOTES – FLAT-FLOOR TEACHING SPACE SPECIFIC

- Refer general notes on AV-S-00
- Refer AV-S-07 if there is a requirement for supplementary displays
- Optional if remote learning is required
- Optional if room linking is required
- Optional – Depending on space.
- Final model(s) yet to be determined - Check RMIT ITS AV Standards 3.2

ANY DEVIATION FROM THE ABOVE AV STANDARD MUST BE APPROVED BY RMIT AV

REV	PURPOSE OF ISSUE	DATE	ISSUED BY
C	ITS AVS 3.20 DRAFT	14 OCT 20	JW
B	ITS AVS 3.10 ISSUE	XX XXX 19	NK
A	ITS AVS 3.00 ISSUE	04 MAY 18	NK

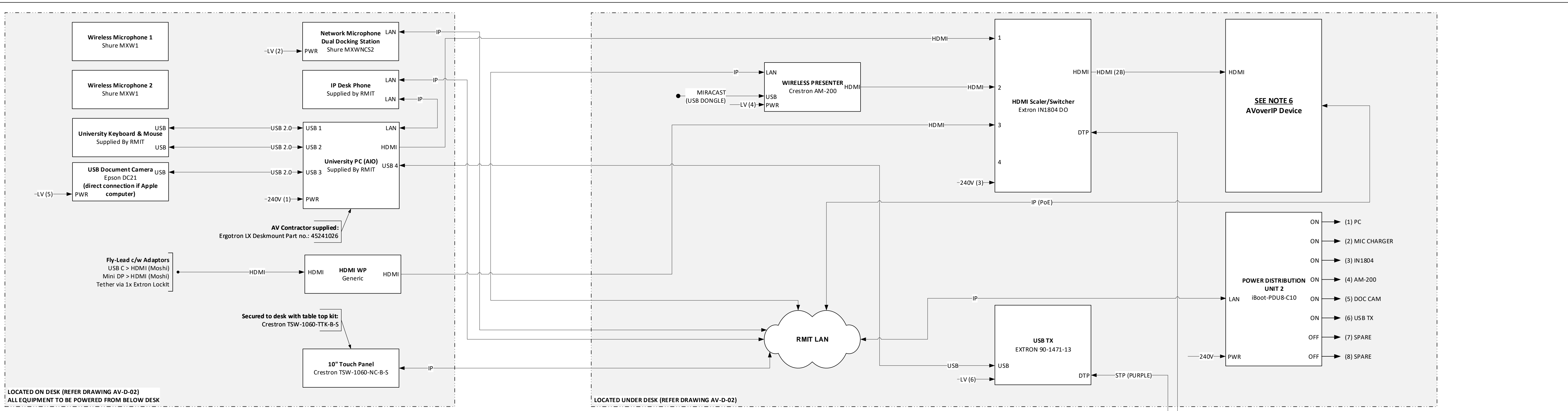
RMIT UNIVERSITY

DRIVING DESCRIPTION:
AV SCHEMATIC
FLAT-FLOOR TEACHING (PROJECTION - CAV)

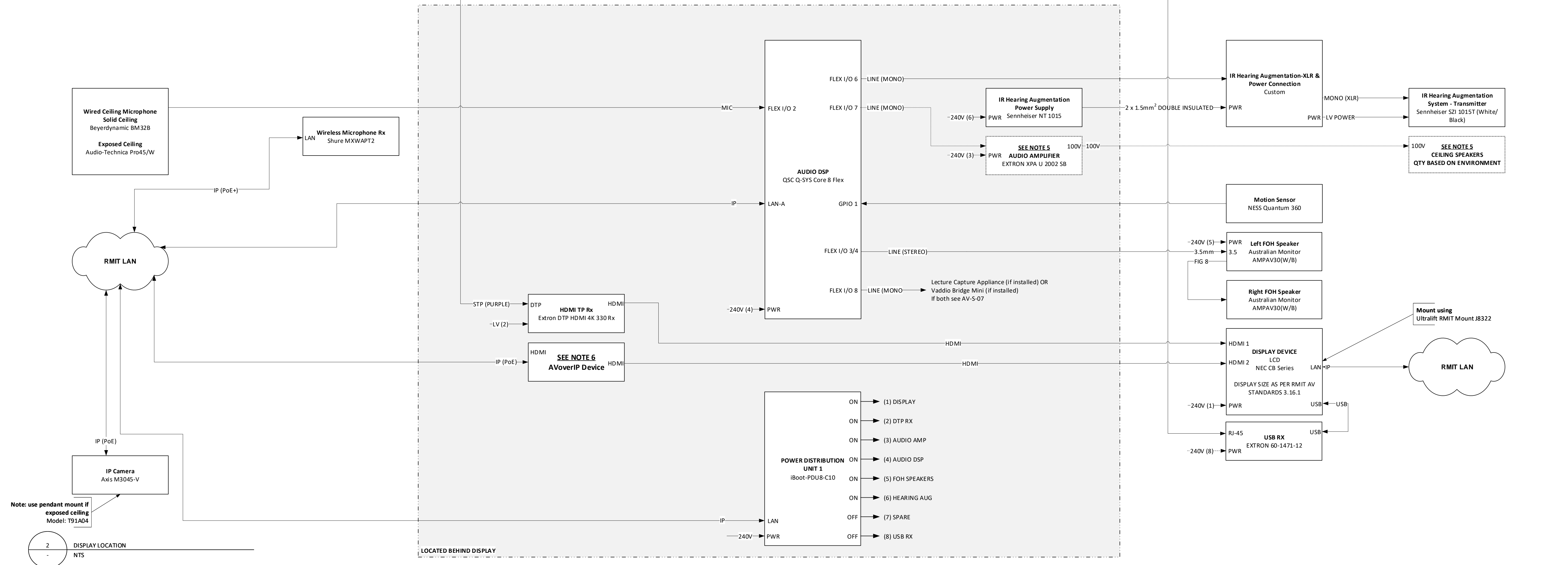
PROJECT NAME:
RMIT AV STANDARDS

DESIGNED	DRAWN	CHECKED	PROJECT REF NO	DOCUMENT REF NO	REV
JC	JW	-	AV STANDARD	AV-S-11	C

PAPER SIZE: A1 | SCALE: NTS | SHEET: X OF X



1 ACADEMIC'S DESK LOCATION
 NTS



2 DISPLAY LOCATION
 NTS

NOTES – FLAT-FLOOR TEACHING SPACE SPECIFIC

1. Refer general notes on AV-S-00
2. Refer AV-S-07 if there is a requirement for supplementary displays
3. Optional if remote learning is required
4. Optional if room linking is required
5. Optional – Depending on space
6. Final model(s) yet to be determined - Check RMIT ITS AV Standards 3.2

ANY DEVIATION FROM THE ABOVE AV STANDARD MUST BE APPROVED BY RMIT AV

REV	PURPOSE OF ISSUE	DATE	ISSUED BY
C	ITS AVS 3.20 DRAFT	14 OCT 20	JW
B	ITS AVS 3.10 ISSUE	XX XXX 19	NK
A	ITS AVS 3.00 ISSUE	04 MAY 18	NK

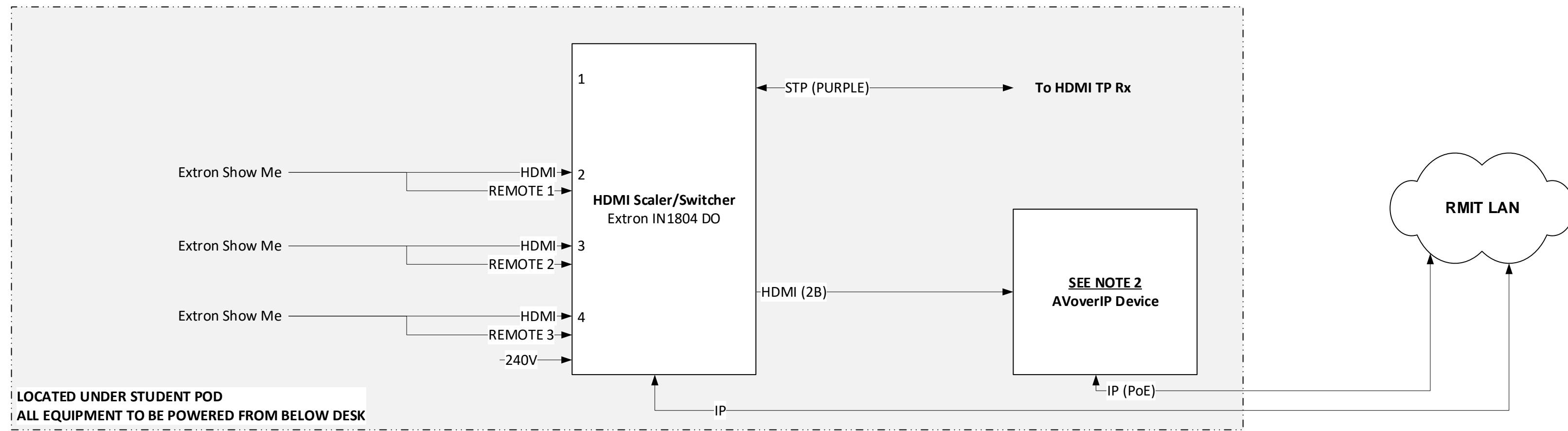
RMIT UNIVERSITY

DRIVING DESCRIPTION:
 AV SCHEMATIC
 FLAT-FLOOR TEACHING (LCD – INTERACTIVE - CAV)

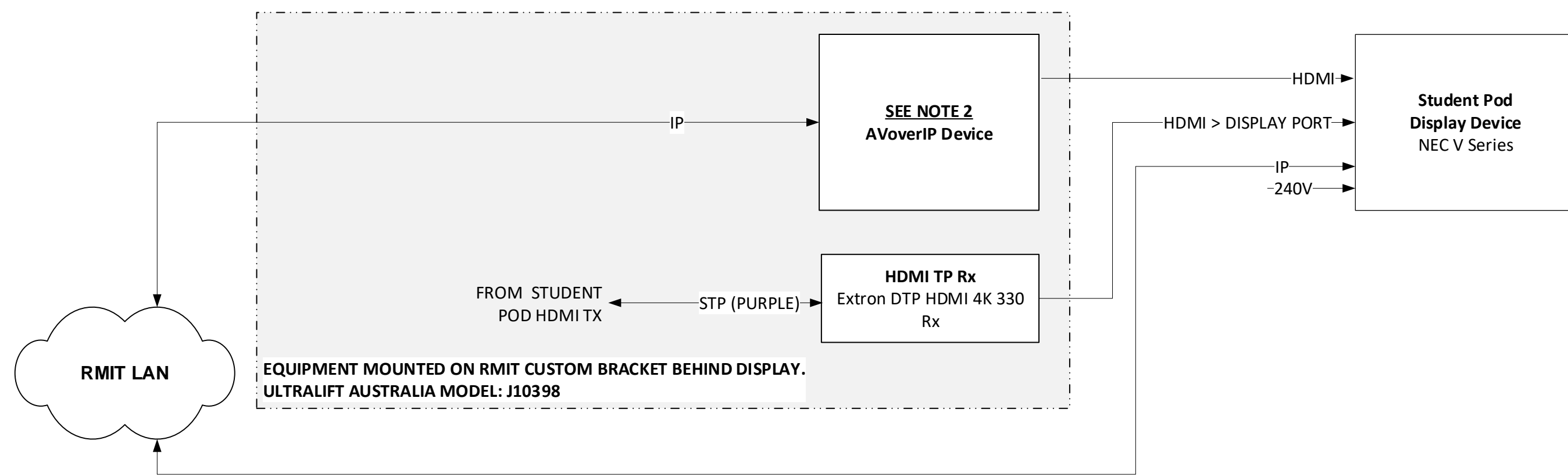
PROJECT NAME:
 RMIT AV STANDARDS

DESIGNED	DRAWN	CHECKED	PROJECT REF NO	DOCUMENT REF NO	REV
JC	JW	-	AV STANDARD	AV-S-12	C

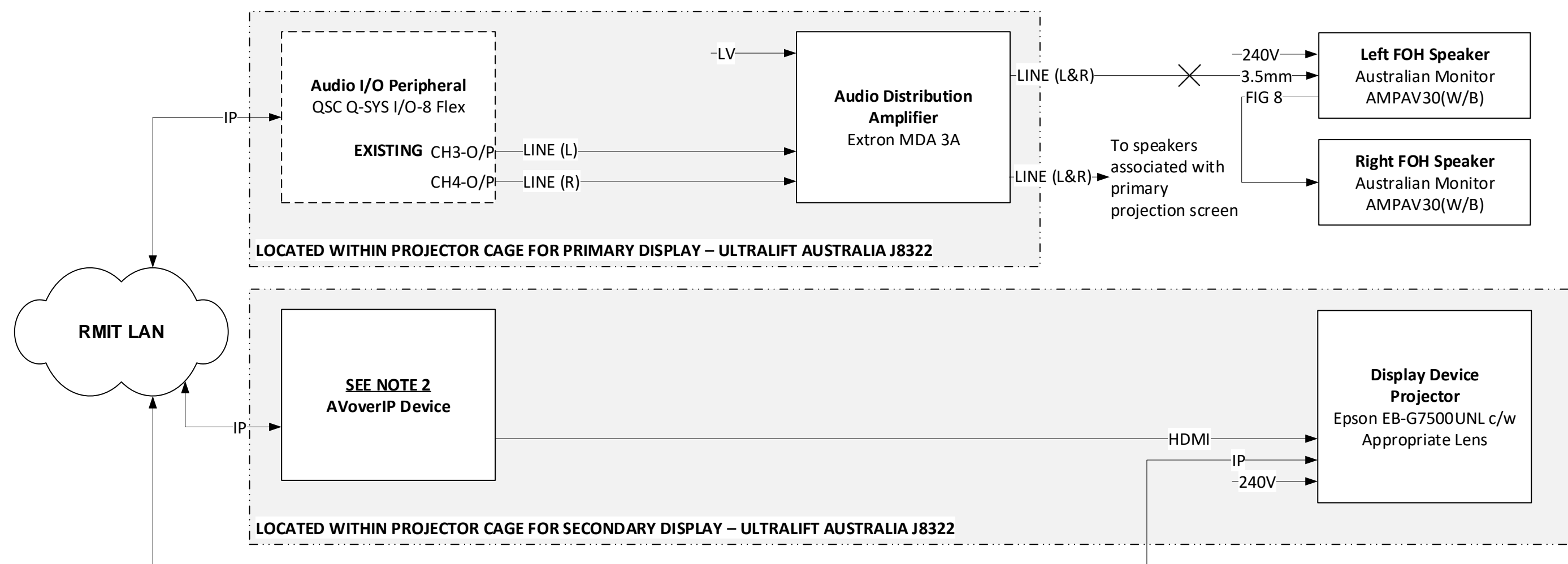
PAPER SIZE: A1 | SCALE: NTS | SHEET: X OF X



1 ADDITIONAL STUDENT POD (INPUT)
NTS



2 ADDITIONAL STUDENT POD (DISPLAY)
NTS



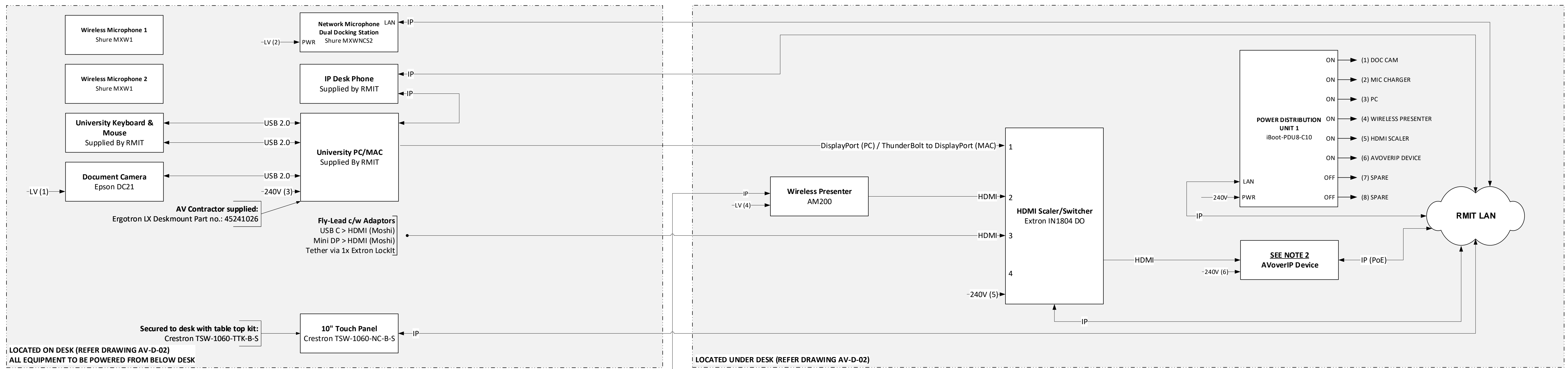
3 ADDITIONAL PROJECTOR
NTS

NOTES – FLAT-FLOOR TEACHING SPACE BUILDING BLOCKS SPECIFIC
 1. Refer general notes on AV-S-00
 2. Final model(s) yet to be determined - Check RMIT ITS AV Standards 3.2

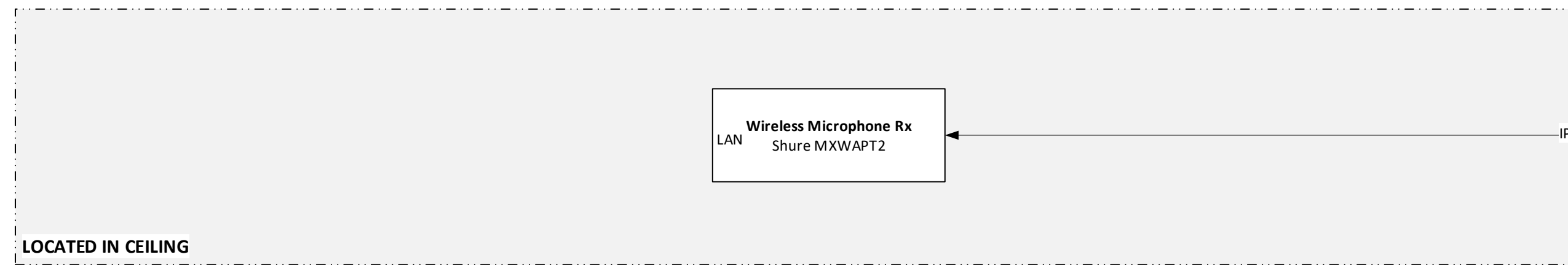
ANY DEVIATION FROM THE ABOVE AV STANDARD MUST BE APPROVED BY RMIT AV

B	ITS AVS 3.20 DRAFT	14 OCT 20	JW	PAPER SIZE	SCALE	SHEET	RMIT AV STANDARDS					
A	ITS AVS 3.10 ISSUE	XX XXX XX	NK	A1	NTS	X OF X	DESIGNED	DRAWN	CHECKED	PROJECT REF NO	DOCUMENT REF NO	REV
REV	PURPOSE OF ISSUE	DATE	ISSUED BY				JC	JW	-	AV STANDARD	AV-S-13	B

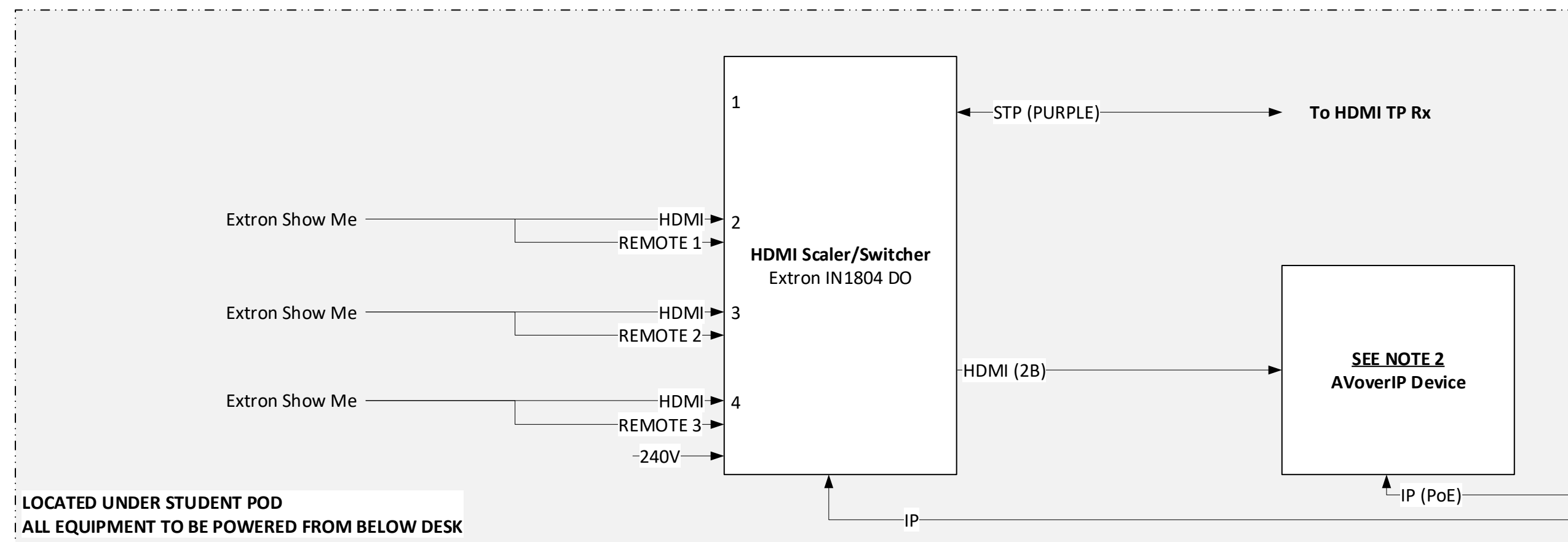
RMIT UNIVERSITY
 DRAWING DESCRIPTION:
 AV SCHEMATIC
 BUILDING BLOCKS – COLLABORATIVE LEARNING
 PROJECT NAME:



1 ACADEMIC'S DESK LOCATION
- NTS



LOCATED IN CEILING



LOCATED UNDER STUDENT POD
ALL EQUIPMENT TO BE POWERED FROM BELOW DESK

1 EACH STUDENT POD
- NTS

ANY DEVIATION FROM THE ABOVE AV STANDARD MUST BE APPROVED BY RMIT AV

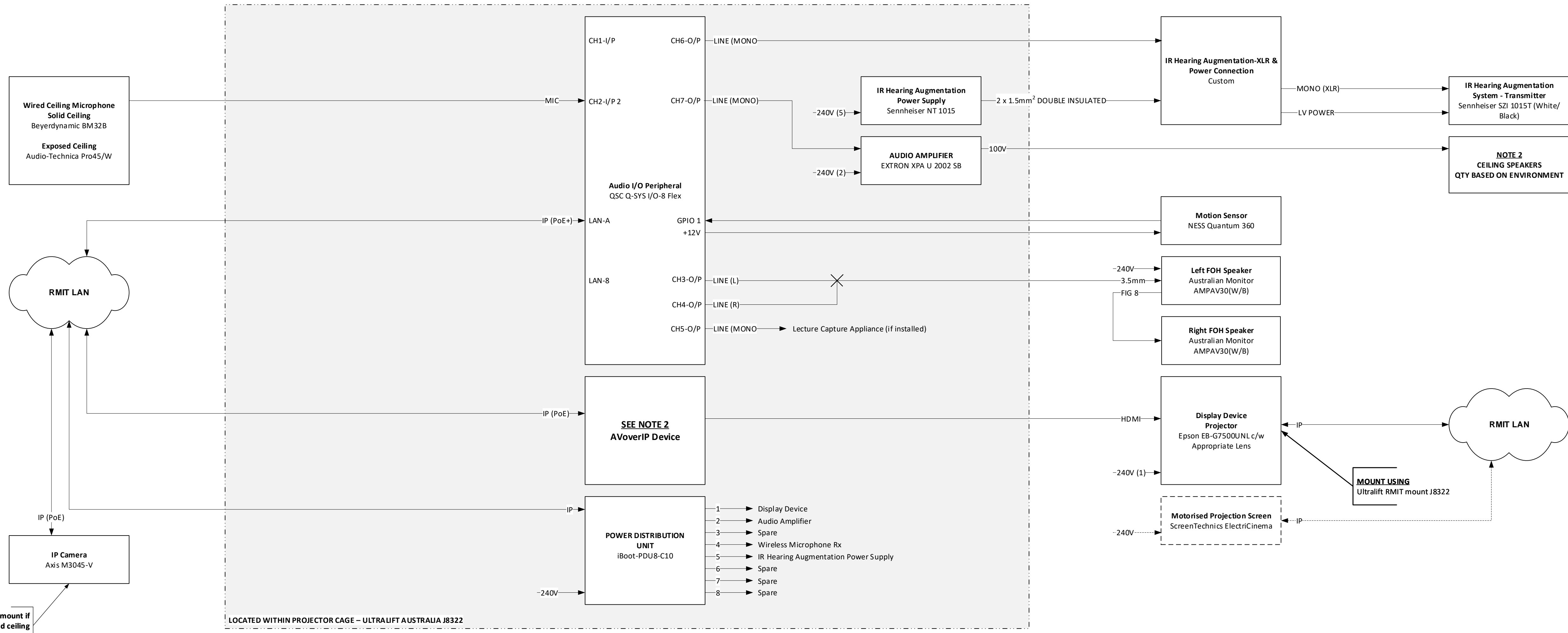
REV	PURPOSE OF ISSUE	DATE	ISSUED BY	PAPER SIZE	SCALE	SHEET	DESIGNED	DRAWN	CHECKED	PROJECT REF NO	DOCUMENT REF NO	REV
B	ITS AVS 3.20 DRAFT	14 OCT 20	JW	A1	NTS	X OF X	JC	JW	-	AV STANDARD	AV-S-14	B
A	ITS AVS 3.10 ISSUE	XX XXX 19	NK									

RMIT UNIVERSITY

DRIVING DESCRIPTION:
AV SCHEMATIC
COLLABORATIVE LEARNING – INPUT END

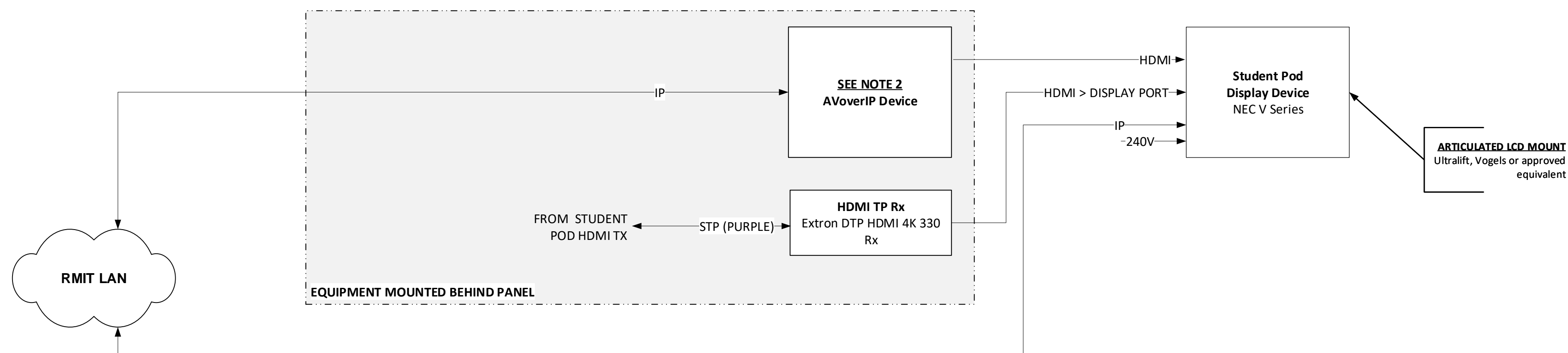
PROJECT NAME:
RMIT AV STANDARDS

NOTES – FLAT-FLOOR TEACHING SPACE BUILDING BLOCKS SPECIFIC
1. Refer general notes on AV-S-00
2. Final model(s) yet to be determined - Check RMIT ITS AV Standards 3.2



Note: use pendant mount if exposed ceiling Model: T91A04

1 PRIMARY PROJECTOR
NTS



2 EACH STUDENT POD LOCATION
NTS

NOTES - FLAT-FLOOR TEACHING SPACE BUILDING BLOCKS SPECIFIC

1. Refer general notes on AV-S-00
2. Final model(s) yet to be determined - Check RMIT ITS AV Standards 3.2

ANY DEVIATION FROM THE ABOVE AV STANDARD MUST BE APPROVED BY RMIT AV

REV	PURPOSE OF ISSUE	DATE	ISSUED BY	PAPER SIZE	SCALE	SHEET
B	ITS AVS 3.20 DRAFT	14 OCT 20	JW	A1	NTS	X OF X
-	ITS AVS 3.10 ISSUE	XX XXX 19	NK			

DRAWING DESCRIPTION						
AV SCHEMATIC COLLABORATIVE LEARNING - DISPLAY END						
PROJECT NAME						
RMIT AV STANDARDS						
DESIGNED	DRAWN	CHECKED	PROJECT REF NO	DOCUMENT REF NO	REV	
JC	JW	-	AV STANDARD	AV-S-15	B	

