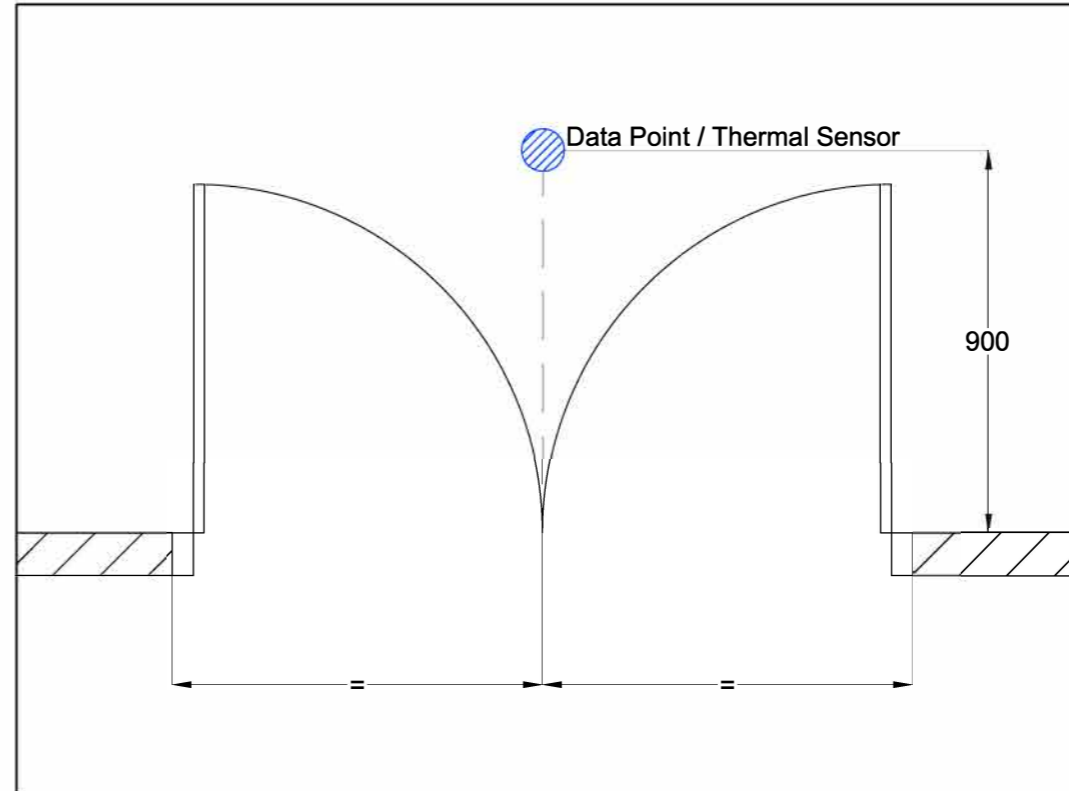
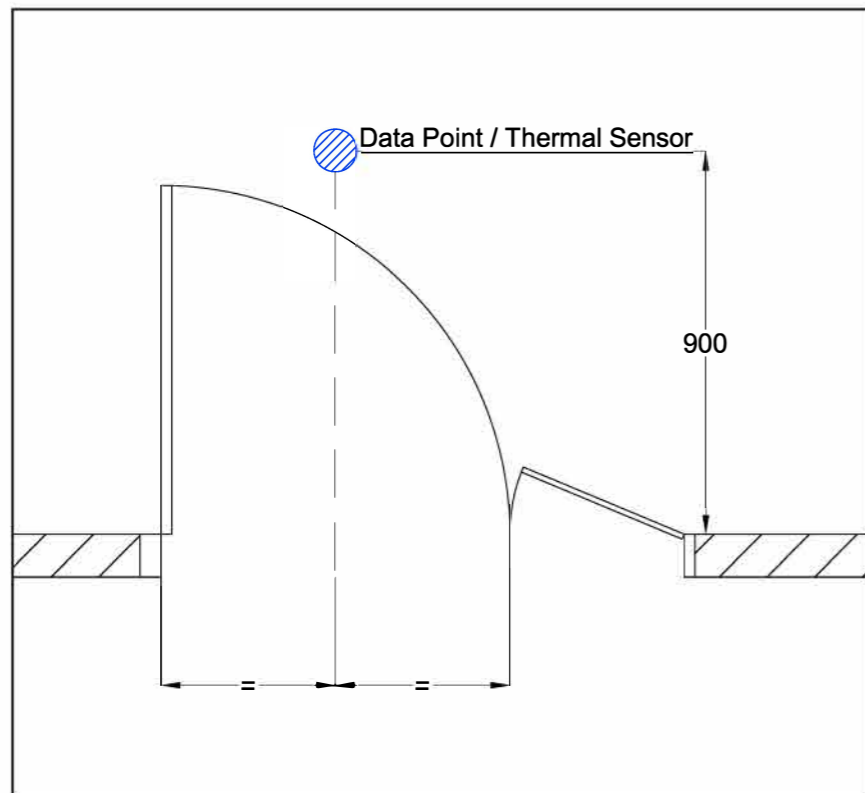


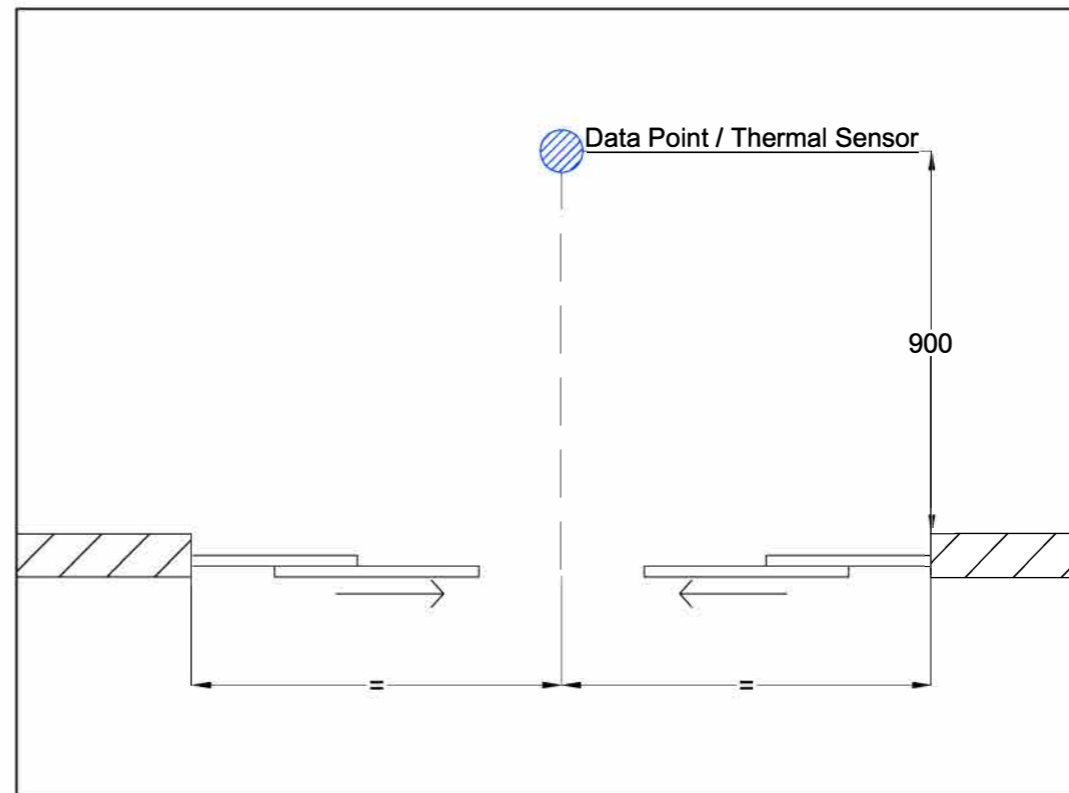
Single Door - Typical Installation



Double Door - Typical Installation



Door and Leaf - Typical Installation
This install assumes leaf is locked the majority of the time.



Sliding Doors - Typical Installation
Opening width must be equal or less than the height of the ceiling.
When this is not the case, multiple counters must be used.

Rev.	Description	Approved Date

- Notes:
- Data point to be installed 900mm from the door.
 - Data point to be installed at the midpoint between the operable doors.
 - Data point to be located inside the room.
 - Termination point requires 1000mm of excess cable.

Project Name

Drawing Title
PEOPLE COUNTER INSTALLATIONS
DATA POINT LOCATIONS
FOR INFORMATION

FMO Project Number
N/A

Drawn By	Checked	Approved By	Date App.
			23-07-15

Drawing Scale	Drawing Status	A1
	INFORMATION	

Drg File Name	Drg File No	Rev No
C_____AK	40756	00