

## DRAWING INDEX


DRAWING NUMBER	DRAWING NAME	DRAWING REVISION
AV-S-00	INDEX SUMMARY PAGE	B
AV-S-01	NOT CURRENTLY IN USE	G
AV-S-02	NOT CURRENTLY IN USE	J
AV-S-03	NOT CURRENTLY IN USE	J
AV-S-04	NOT CURRENTLY IN USE	J
AV-S-05	LECTURE THEATRE	J
AV-S-06	COLLABORATIVE LEARNING	H
AV-S-07	BUILDING BLOCKS – FLAT FLOOR TEACHING	C
AV-S-08	MOBILE COMPUTER ON WHEELS (MoCoW)	B
AV-S-09	DIGITAL SIGNAGE	B
AV-S-10	PRIVATE OFFICES	A
AV-S-11	MEETING/CONFERENCE ROOM (PROJECTION)	A
AV-S-12	MEETING/CONFERENCE ROOM (LCD)	A
AV-S-13	MEETING/CONFERENCE ROOM (LCD – INTERACTIVE)	A
AV-S-14	FLAT-FLOOR TEACHING SPACE (PROJECTION)	A
AV-S-15	FLAT-FLOOR TEACHING SPACE (LCD)	A
AV-S-16	FLAT-FLOOR TEACHING SPACE (LCD – INTERACTIVE)	A
AV-S-17	BUILDING BLOCKS – MEETING ROOMS	A

## GENERAL NOTES

- The AV integrator shall co-ordinate final power & data requirements including final locations
- At a minimum, the following security shall be supplied & installed by the AV contractor:
  - USB Document Camera – Kensington Lock
  - LCD screen(s) – Split pin
- At a minimum, the following shall be installed by the AV contractor
  - PC - Tethering cable & lock (provided by RMIT Field Services)
  - Projector(s) – Padlock
- An appropriate length Laptop HDMI cable to be labelled and secured with a P-clip beneath the desk. Refer AV standards section 3.11.6
- Where AV equipment has colour options, the appropriate colour shall be chosen to match the room environment
- Equipment to be secured under the teachers desk with appropriate brackets including any power supplies (Extron ZipClip 100)
- IP Desk Phone to be cabled and installed by the AV Integrator
- All items/lines marked as dashed are optional

ANY DEVIATION FROM THE ABOVE AV STANDARD MUST BE APPROVED BY RMIT AV

REV	PURPOSE OF ISSUE	DATE	ISSUED BY	PAPER SIZE	SCALE	SHEET	DESIGNED	DRAWN	CHECKED	PROJECT REF NO	DOCUMENT REF NO	REV
B	ITS AVS 3.00 ISSUE	04 MAY 18	NK	A1	NTS	1 OF 18	NK	NK	AA	AV STANDARD	AV-S-00	B
A	ITS AVS 2.21 ISSUE	08 OCT 15	NK									



**DRAWING DESCRIPTION:**  
AV SCHEMATIC  
INDEX SUMMARY PAGE

**PROJECT NAME:**

**RMIT AV STANDARDS**

NOT CURRENTLY IN USE

ANY DEVIATION FROM THE ABOVE AV STANDARD MUST BE APPROVED BY RMIT AV

G	ITS AVS 3.00 ISSUE	04 MAY 18	NK
F	ITS AVS 2.21 ISSUE	08 OCT 15	NK
E	ITS AVS 2.2 ISSUE	22 Aug 14	AR
D	SEE AV STANDARDS APPENDIX J	09 SEP 13	DM
C	EQUIPMENT UPDATES	15 MAY 13	DM
B	I/R HEARING POWER	11 APR 13	DM
A	V2.0 APPROVED FOR ISSUE	5 APR 13	DM
REV	PURPOSE OF ISSUE	DATE	ISSUED BY



DRAWING DESCRIPTION						
AV SCHEMATIC AV00-20X						
PROJECT NAME						
RMIT AV STANDARDS						
PAPER SIZE	SCALE	SHEET	DESIGNED	DRAWN	CHECKED	PROJECT REF NO
A1	NTS	2 OF 18	NK	NK	-	AV STANDARD
					DOCUMENT REF NO	REV
					AV-S-02	G

NOT CURRENTLY IN USE

ANY DEVIATION FROM THE ABOVE AV STANDARD MUST BE APPROVED BY RMIT AV

G	ITS AVS 3.00 ISSUE	04 MAY 18	NK
F	ITS AVS 2.21 ISSUE	08 OCT 15	NK
E	ITS AVS 2.2 ISSUE	22 Aug 14	AR
D	SEE AV STANDARDS APPENDIX J	09 SEP 13	DM
C	EQUIPMENT UPDATES	15 MAY 13	DM
B	I/R HEARING PWR & LECTURE CAPTURE	11 APR 13	DM
A	V2.0 APPROVED FOR ISSUE	5 APR 13	DM
REV	PURPOSE OF ISSUE	DATE	ISSUED BY

PAPER SIZE	SCALE	SHEET
A1	NTS	3 OF 18



DRAWING DESCRIPTION						
AV SCHEMATIC AV20-70						
PROJECT NAME						
RMIT AV STANDARDS						
DESIGNED	DRAWN	CHECKED	PROJECT REF NO	DOCUMENT REF NO	REV	
NK	NK	-	AV STANDARD	AV-S-02	G	

NOT CURRENTLY IN USE

ANY DEVIATION FROM THE ABOVE AV STANDARD MUST BE APPROVED BY RMIT AV

J	ITS AVS 3.00 ISSUE	04 MAY 18	NK
H	ITS AVS 2.21 ISSUE	08 OCT 15	NK
G	ITS AVS 2.2 ISSUE	22 Aug 14	AR
F	SEE AV STANDARDS APPENDIX J	09 SEP 13	DM
E	SERVER LINK	06 JUN 13	DM
D	EQUIPMENT UPDATES	15 MAY 13	DM
C	ADDED HANDHELD MIC CHARGER	23 APR 13	DM
B	GENERAL AMENDMENTS & LECTURE CAPTURE	11 APR 13	DM
A	V2.0 APPROVED FOR ISSUE	5 APR 13	DM
REV	PURPOSE OF ISSUE	DATE	ISSUED BY



DRAWING DESCRIPTION:  
AV SCHEMATIC  
PODIUM LECTERN - REMOTE EQUIPMENT RACK

PROJECT NAME

RMIT AV STANDARDS

PAPER SIZE	SCALE	SHEET	DESIGNED	DRAWN	CHECKED	PROJECT REF NO	DOCUMENT REF NO	REV
A1	NTS	4 OF 18	NK	NK	-	AV STANDARD	AV-S-03	J

NOT CURRENTLY IN USE

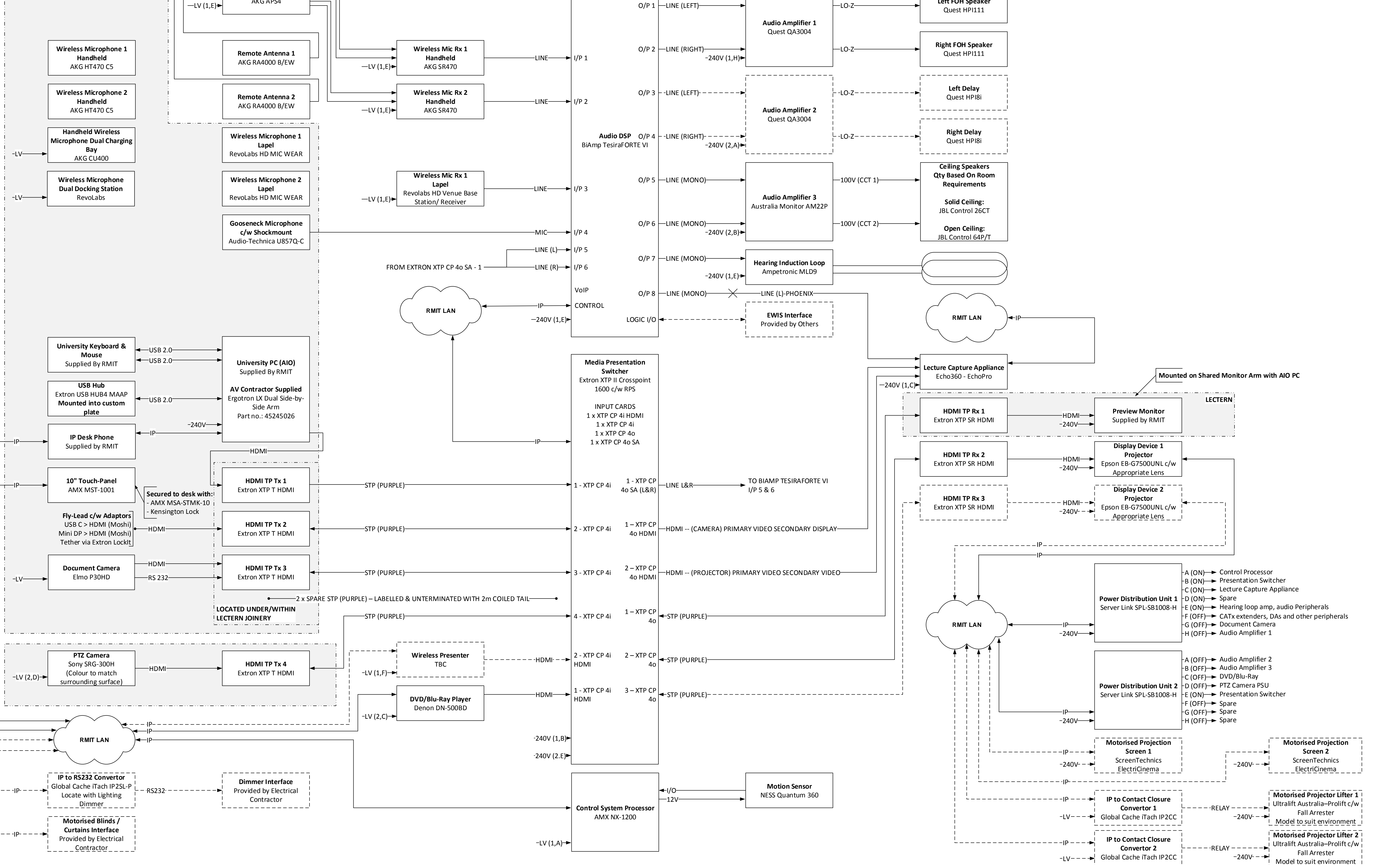
ANY DEVIATION FROM THE ABOVE AV STANDARD MUST BE APPROVED BY RMIT AV

J	ITS AVS 3.00 ISSUE	04 MAY 18	NK
H	ITS AVS 2.21 ISSUE	08 OCT 15	NK
G	ITS AVS 2.2 ISSUE	22 Aug 14	AR
F	SEE AV STANDARDS APPENDIX J	09 SEP 13	DM
E	SERVER LINK	06 JUN 13	DM
D	EQUIPMENT UPDATES	15 MAY 13	DM
C	ADDED HANDHELD MIC CHARGER	23 APR 13	DM
B	GENERAL AMENDMENTS & LECTURE CAPTURE	11 APR 13	DM
A	V2.0 APPROVED FOR ISSUE	5 APR 13	DM
REV	PURPOSE OF ISSUE	DATE	ISSUED BY



DRAWING DESCRIPTION								
AV SCHEMATIC PODIUM LECTERN – INTEGRAL EQUIPMENT RACK								
PROJECT NAME								
RMIT AV STANDARDS								
PAPER SIZE	SCALE	SHEET	DESIGNED	DRAWN	CHECKED	PROJECT REF NO	DOCUMENT REF NO	REV
A1	NTS	5 OF 18	NK	NK	-	AV STANDARD	AV-S-04	J

LOCATED ON LECTERN FOR USE BY A PRESENTER.  
ALL EQUIPMENT POWERED LOCALLY  
FROM WITHIN LECTERN



- A (ON) → Control Processor
- B (OFF) → Presentation Switcher
- C (ON) → Lecture Capture Appliance
- D (ON) → Spare
- E (ON) → Hearing loop amp, audio Peripherals
- F (OFF) → CATx extenders, DAs and other peripherals
- G (OFF) → Document Camera
- H (OFF) → Audio Amplifier 1

- A (OFF) → Audio Amplifier 2
- B (OFF) → Audio Amplifier 3
- C (OFF) → DVD/Blu-Ray
- D (OFF) → PTZ Camera PSU
- E (ON) → Presentation Switcher
- F (OFF) → Spare
- G (OFF) → Spare
- H (OFF) → Spare

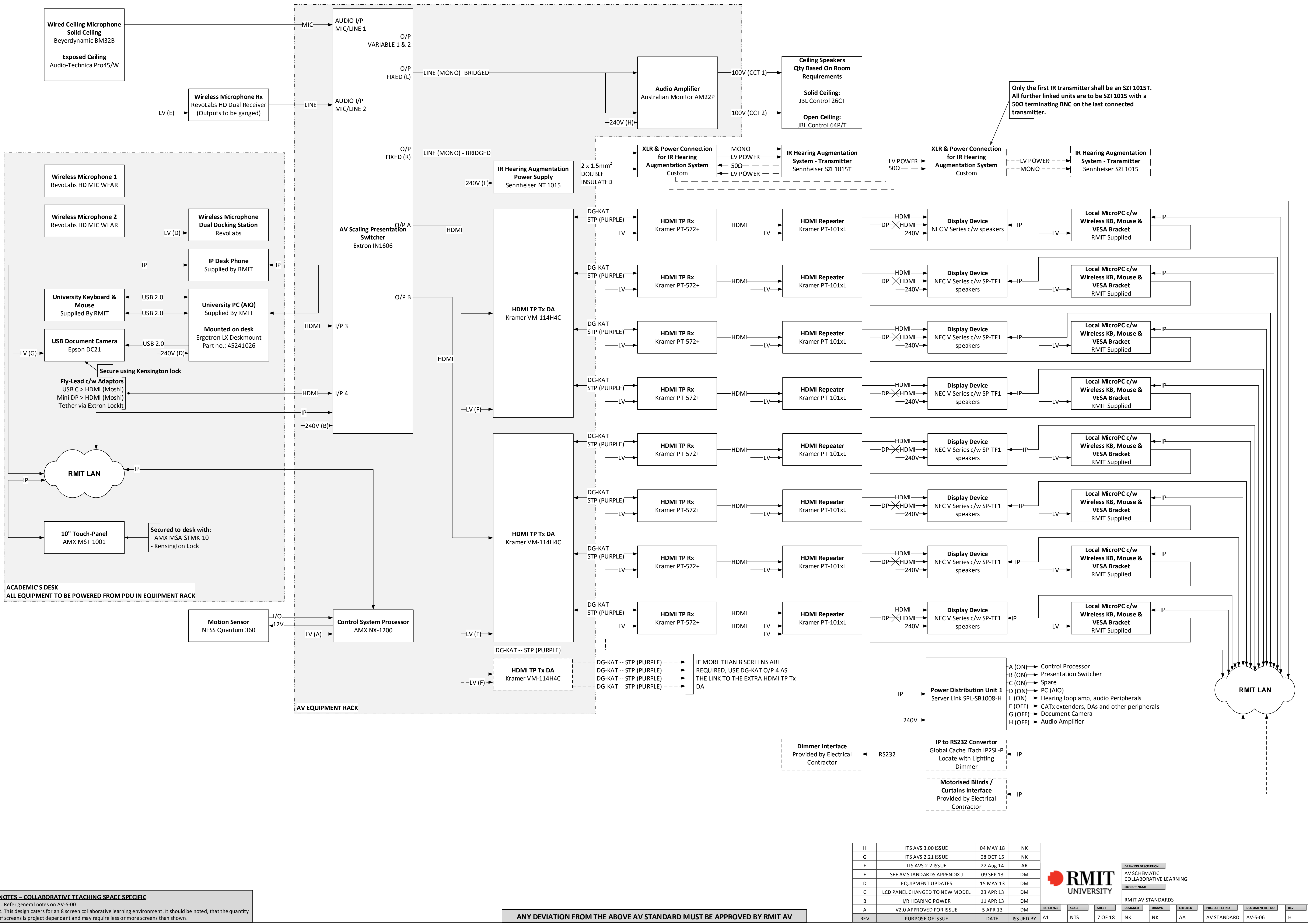
**NOTES – LECTURE THEATRE SPECIFIC**  
1. Refer general notes on AV-S-00

ANY DEVIATION FROM THE ABOVE AV STANDARD MUST BE APPROVED BY RMIT AV

REV	PURPOSE OF ISSUE	DATE	ISSUED BY	PAPER SIZE	SCALE	SHEET	DESIGNED	DRAWN	CHECKED	PROJECT REF NO	DOCUMENT REF NO	REV
J	ITS AVS 3.00 ISSUE	04 MAY 18	NK	A1	NTS	6 OF 18	NK	NK	AA	AV STANDARD	AV-S-05	J
H	ITS AVS 2.21 ISSUE	08 OCT 15	NK									
G	ITS AVS 2.2 ISSUE	22 Aug 14	AR									
F	SEE AV STANDARDS APPENDIX J	09 SEP 13	DM									
E	SERVER LINK	06 JUN 13	DM									
D	EQUIPMENT UPDATES	15 MAY 13	DM									
C	ADDED HANDHELD MIC CHARGER	23 APR 13	DM									
B	GENERAL AMENDMENTS & LECTURE CAPTURE	11 APR 13	DM									
A	V2.0 APPROVED FOR ISSUE	5 APR 13	DM									



**DRIVING DESCRIPTION:**  
AV SCHEMATIC  
LECTURE THEATRE  
**PROJECT NAME:**  
RMIT AV STANDARDS



**NOTES – COLLABORATIVE TEACHING SPACE SPECIFIC**  
 1. Refer general notes on AV-S-00  
 2. This design caters for an 8 screen collaborative learning environment. It should be noted, that the quantity of screens is project dependant and may require less or more screens than shown.

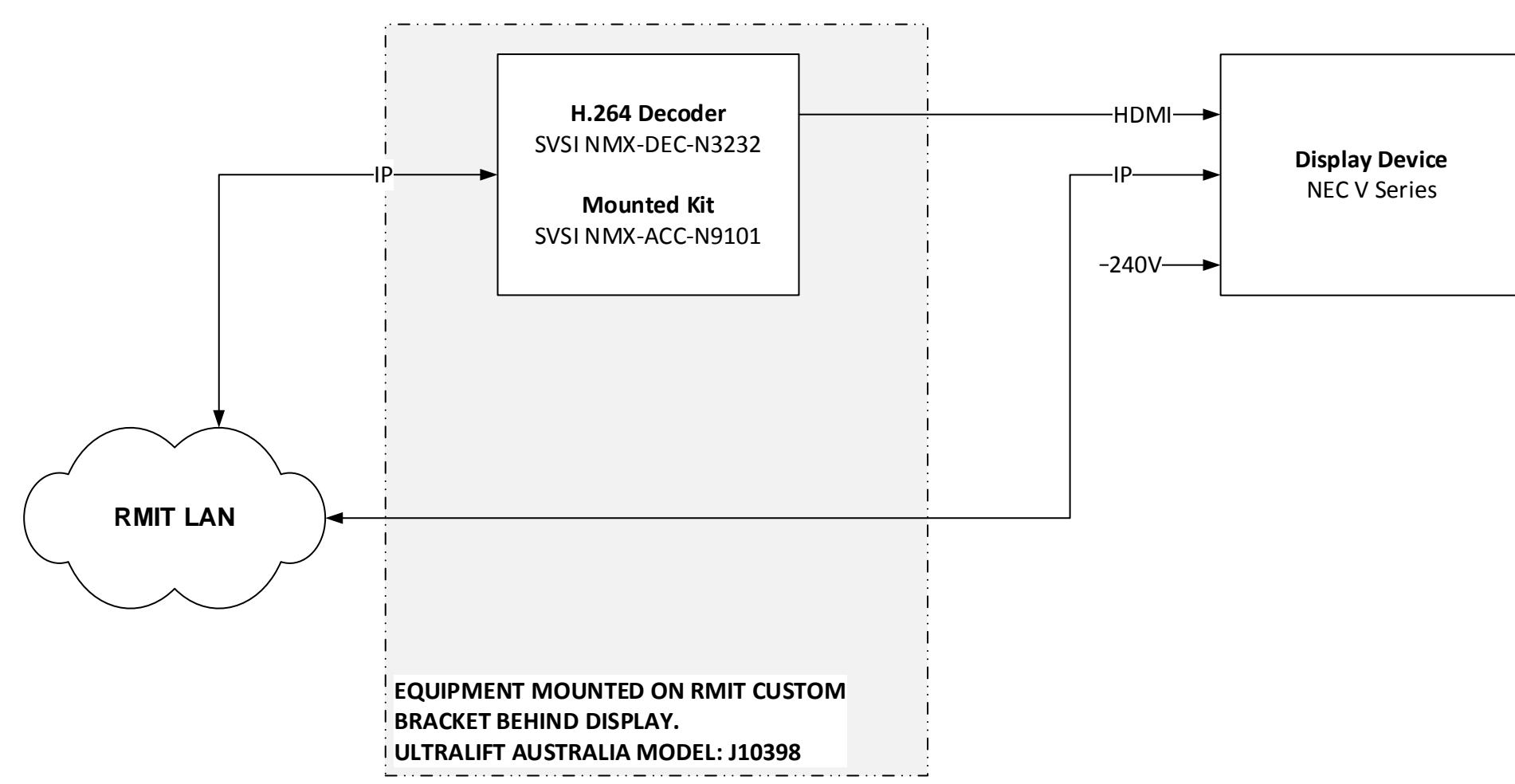
**ANY DEVIATION FROM THE ABOVE AV STANDARD MUST BE APPROVED BY RMIT AV**

REV	PURPOSE OF ISSUE	DATE	ISSUED BY
H	ITS AVS 3.00 ISSUE	04 MAY 18	NK
G	ITS AVS 2.21 ISSUE	08 OCT 15	NK
F	ITS AVS 2.2 ISSUE	22 Aug 14	AR
E	SEE AV STANDARDS APPENDIX J	09 SEP 13	DM
D	EQUIPMENT UPDATES	15 MAY 13	DM
C	LCD PANEL CHANGED TO NEW MODEL	23 APR 13	DM
B	I/R HEARING POWER	11 APR 13	DM
A	V2.0 APPROVED FOR ISSUE	5 APR 13	DM

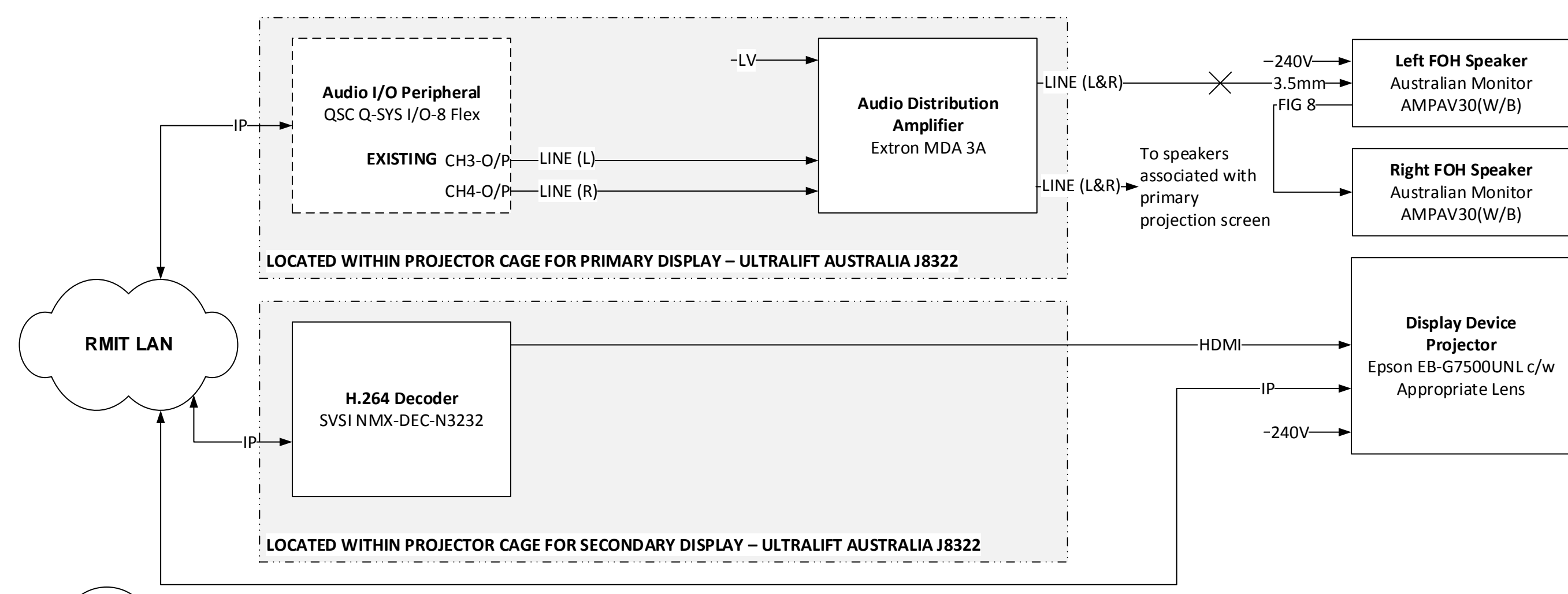


DRAWING DESCRIPTION			
AV SCHEMATIC COLLABORATIVE LEARNING			
PROJECT NAME			
RMIT AV STANDARDS			
DESIGNED	DRAWN	CHECKED	PROJECT REF NO
NK	NK	AA	AV STANDARD
DOCUMENT REF NO	REV		
AV-S-06	H		

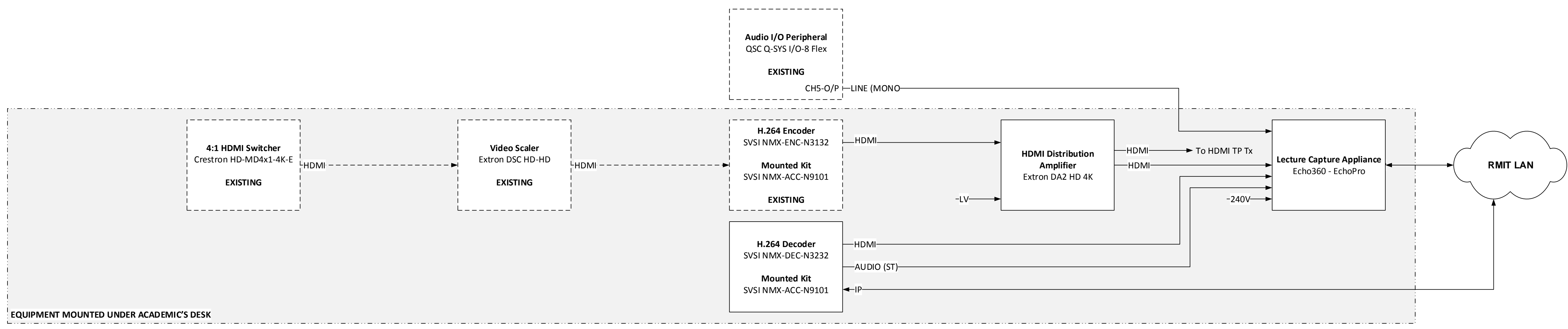
- A (ON) → Control Processor
- B (ON) → Presentation Switcher
- C (ON) → Spare
- D (ON) → PC (AIO)
- E (ON) → Hearing loop amp, audio Peripherals
- F (OFF) → CATx extenders, DAs and other peripherals
- G (OFF) → Document Camera
- H (OFF) → Audio Amplifier



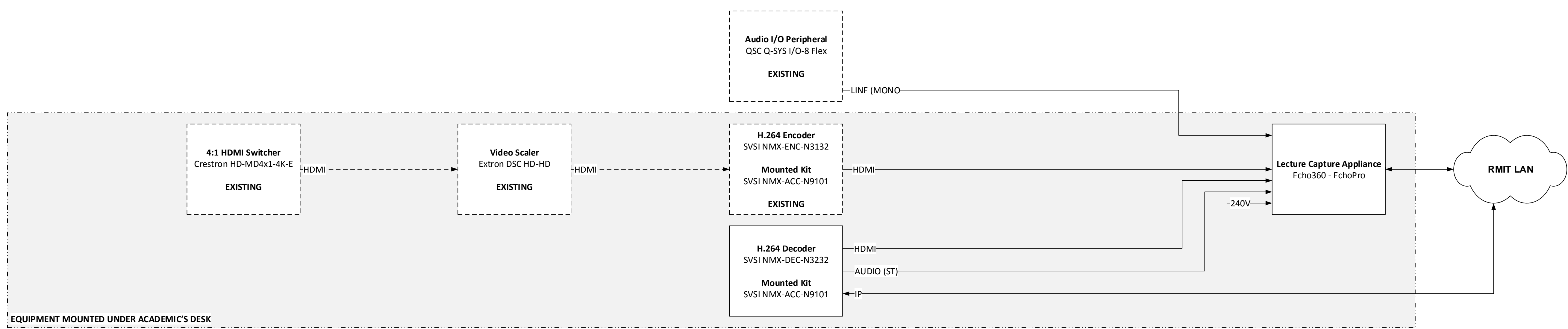
1 ADDITIONAL/SUPPLEMENTARY LCD SCREEN  
- NTS



2 ADDITIONAL/SUPPLEMENTARY PROJECTOR  
- NTS



3 LECTURE CAPTURE – LCD & INTERACTIVE LCD (IN ROOM)  
- NTS



4 LECTURE CAPTURE – PROJECTION (IN ROOM)  
- NTS

**NOTES – FLAT-FLOOR TEACHING SPACE BUILDING BLOCKS SPECIFIC**  
1. Refer general notes on AV-S-00

**ANY DEVIATION FROM THE ABOVE AV STANDARD MUST BE APPROVED BY RMIT AV**

REV	PURPOSE OF ISSUE	DATE	ISSUED BY
C	ITS AVS 3.00 ISSUE	04 MAY 18	NK
B	ITS AVS 2.21 ISSUE	08 OCT 15	NK
A	ITS AVS 2.2 ISSUE	22 Aug 14	AR

**RMIT UNIVERSITY**

**DRIVING DESCRIPTION:**  
AV SCHEMATIC  
BUILDING BLOCKS - FLAT-FLOOR TEACHING

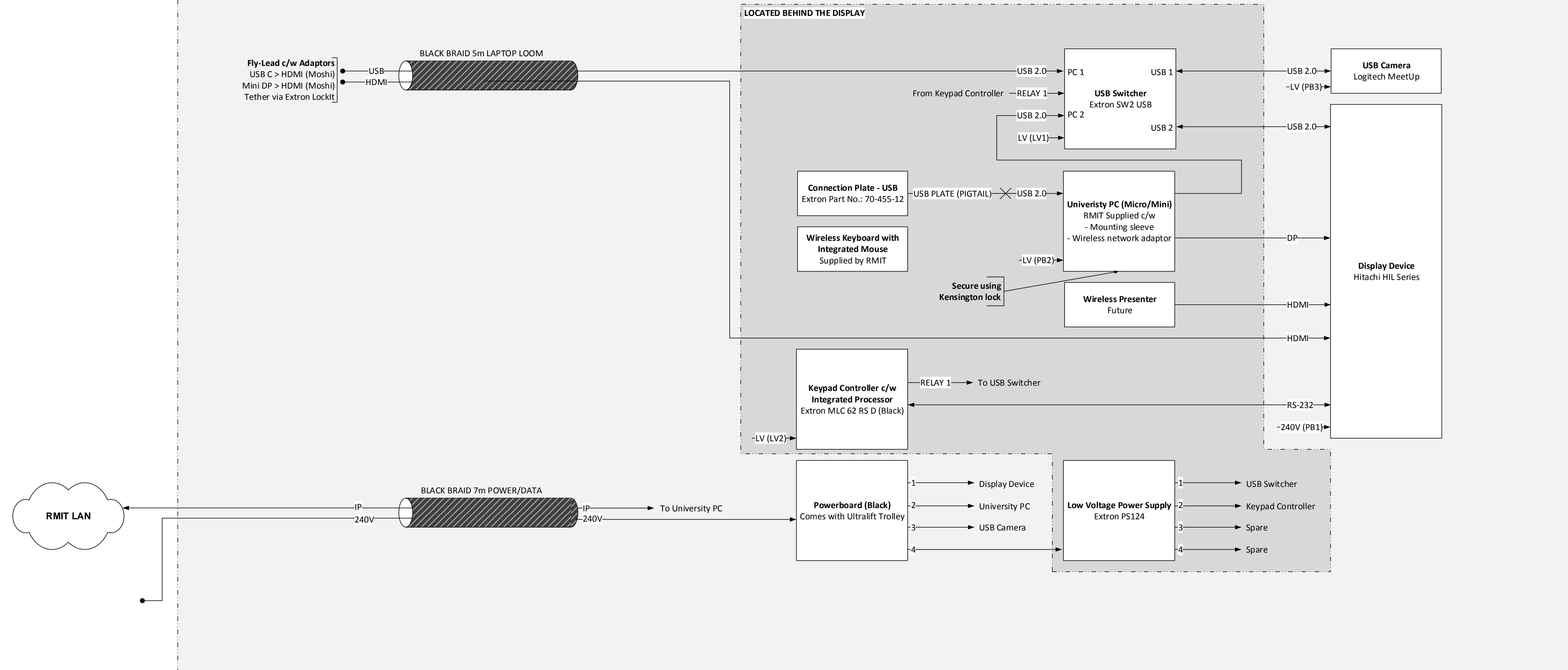
**PROJECT NAME:**  
RMIT AV STANDARDS

DESIGNED	DRAWN	CHECKED	PROJECT REF NO	DOCUMENT REF NO	REV
NK	NK	AA	AV STANDARD	AV-S-07	C

PAPER SIZE: A1  
SCALE: NTS  
SHEET: 8 OF 18



TROLLEY  
 OPTION 1 – ULTRALIFT AUSTRALIA, RMIT-CTVERT (BLACK)  
 OPTION 2 – ULTRALIFT AUSTRALIA, RMIT-CTFLIP (BLACK)



1 SYSTEM AV SCHEMATIC  
 NTS



1 KEYPAD LAYOUT  
 NTS

**NOTES – MOCOW SPECIFIC**  
 1. Refer general notes on AV-S-00

ANY DEVIATION FROM THE ABOVE AV STANDARD MUST BE APPROVED BY RMIT AV

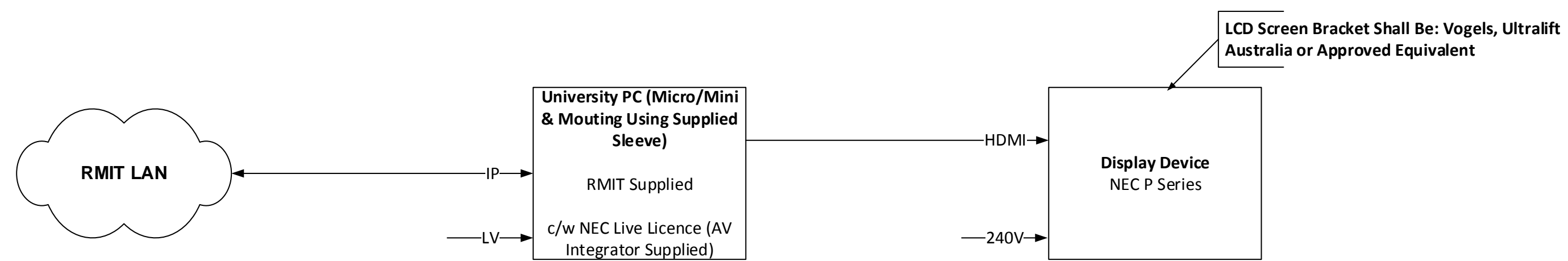
B	ITS AVS 3.00 ISSUE	04 MAY 18	NK	PAPER SIZE	SCALE	SHEET	DESIGNED	DRAWN	CHECKED	PROJECT REF NO	DOCUMENT REF NO	REV
A	ITS AVS 2.21 ISSUE	08 OCT 15	NK	A1	NTS	9 OF 18	NK	NK	AA	AV STANDARD	AV-S-08	B
REV	PURPOSE OF ISSUE	DATE	ISSUED BY									

**RMIT UNIVERSITY**

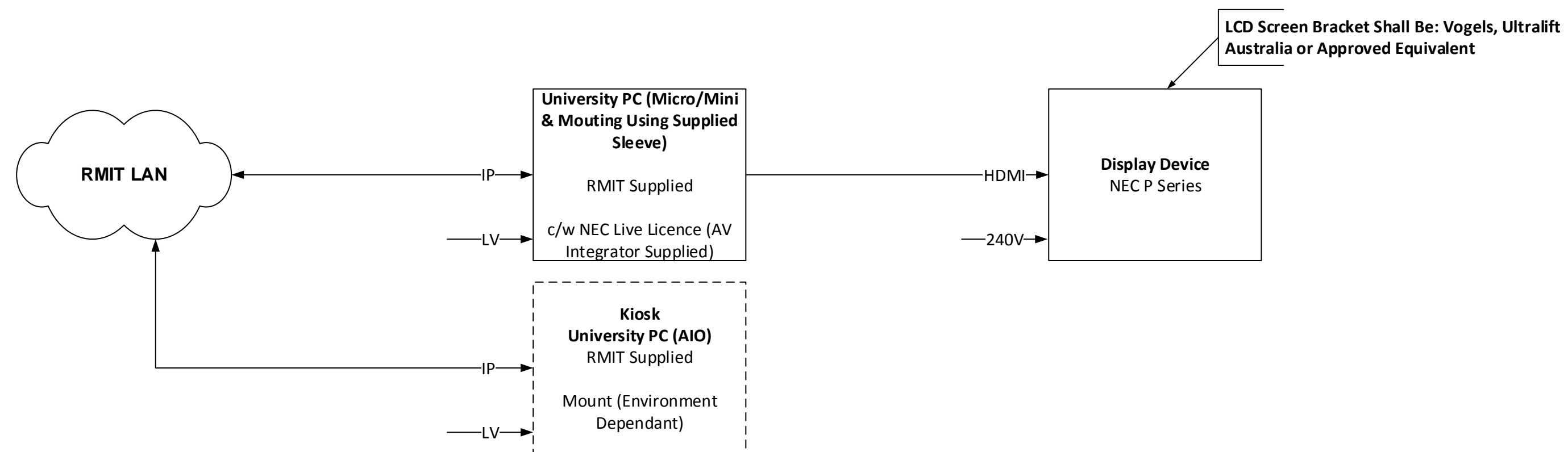
DRAWING DESCRIPTION:  
 AV SCHEMATIC  
 MOBILE COMPUTER ON WHEELS (MoCoW)

PROJECT NAME

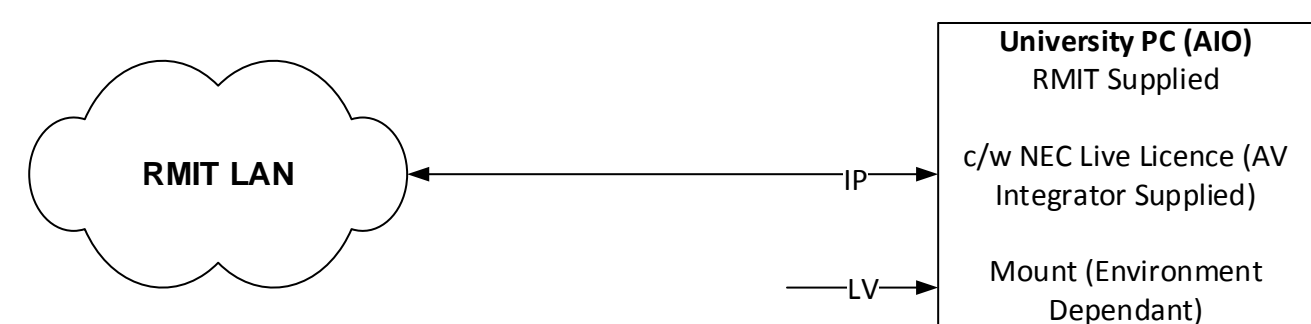
RMIT AV STANDARDS



1 STANDARD DIGITAL SIGNAGE  
- NTS



2 Q-LESS  
- NTS



3 TIMETABLING  
- NTS

**NOTES – DIGITAL SIGNAGE SPECIFIC**  
1. Refer general notes on AV-S-00

ANY DEVIATION FROM THE ABOVE AV STANDARD MUST BE APPROVED BY RMIT AV

B	ITS AVS 3.00 ISSUE	04 MAY 18	NK														
A	ITS AVS 2.21 ISSUE	08 OCT 15	NK														
REV	PURPOSE OF ISSUE	DATE	ISSUED BY														

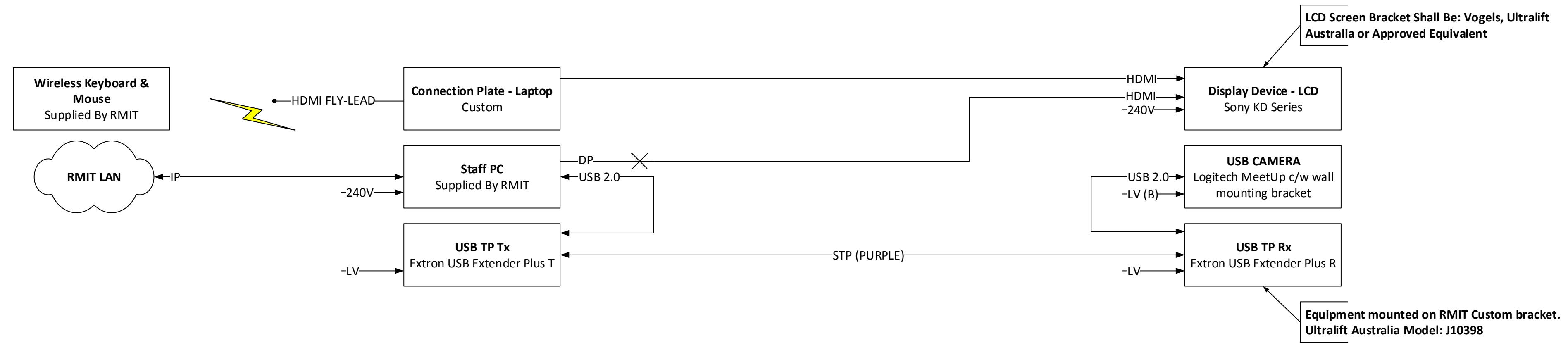
PAPER SIZE	SCALE	SHEET	DESIGNED	DRAWN	CHECKED	PROJECT REF NO	DOCUMENT REF NO	REV
A1	NTS	10 OF 18	NK	NK	AA	AV STANDARD	AV-S-09	B

**RMIT UNIVERSITY**

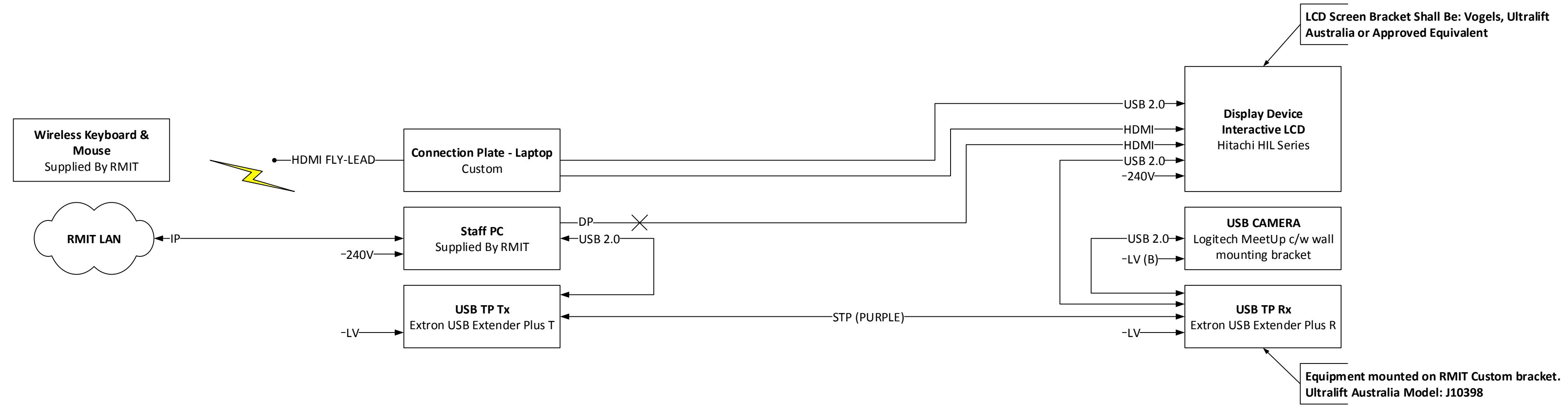
DRAWING DESCRIPTION:  
AV SCHEMATIC  
DIGITAL SIGNAGE

PROJECT NAME:

RMIT AV STANDARDS



1 LCD  
- NTS

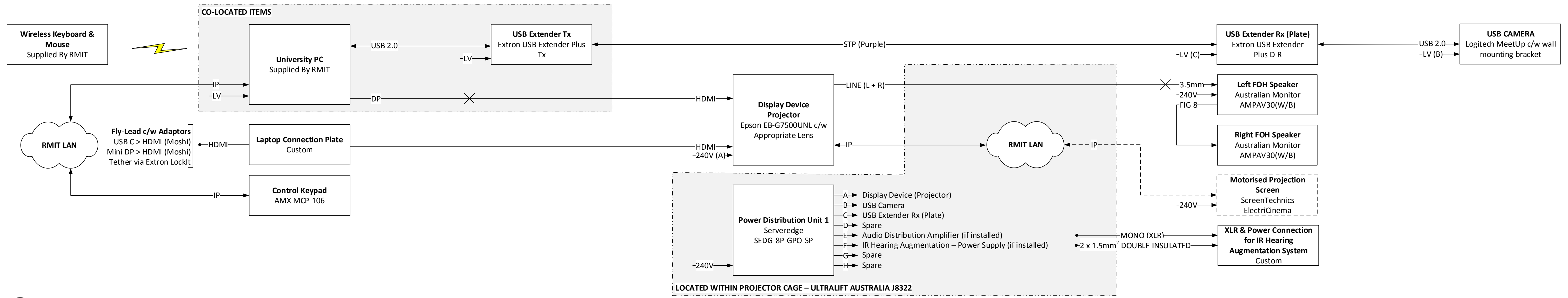


2 INTERACTIVE LCD  
- NTS

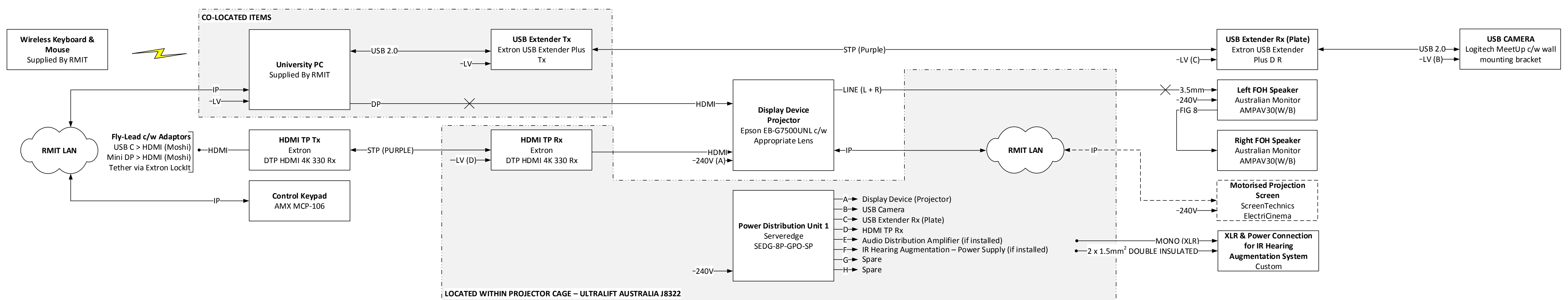
**NOTES – MEETING/CONFERENCE ROOM SPECIFIC**  
1. Refer general notes on AV-S-00

ANY DEVIATION FROM THE ABOVE AV STANDARD MUST BE APPROVED BY RMIT AV

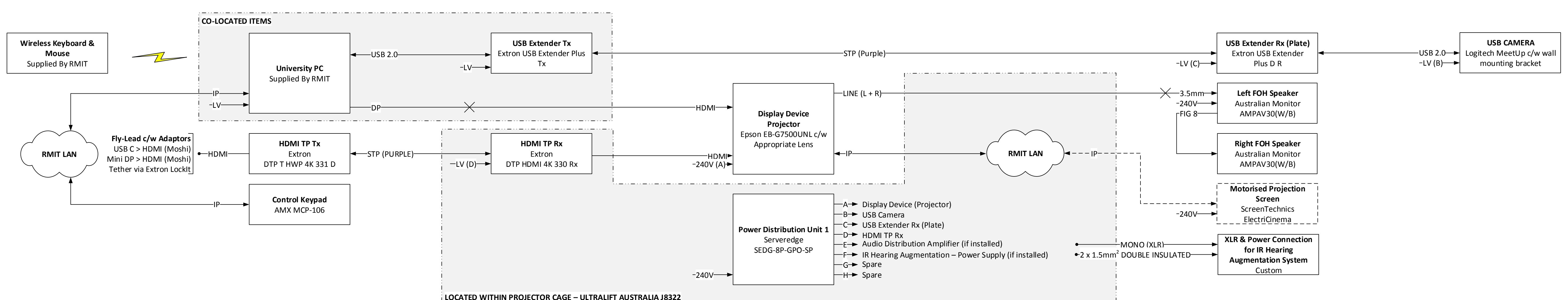
		DRAWING DESCRIPTION		AV SCHEMATIC PRIVATE OFFICES			
		PROJECT NAME					
RMIT AV STANDARDS		DESIGNED	DRAWN	CHECKED	PROJECT REF NO	DOCUMENT REF NO	REV
A	ITS AVS 3.00 ISSUE	04 MAY 18	NK		AV STANDARD	AV-S-10	A
REV	PURPOSE OF ISSUE	DATE	ISSUED BY	PAPER SIZE	SCALE	SHEET	
				A1	NTS	11 OF 18	



1 PROJECTION (STANDARD)  
- NTS



2 PROJECTION (LAPTOP CONNECTION AT A TABLE VIA EXTENDERS)  
- NTS



3 PROJECTION (LAPTOP CONNECTION AT WALL USING EXTENDERS)  
- NTS

**NOTES – MEETING/CONFERENCE ROOM SPECIFIC**  
1. Refer general notes on AV-S-00

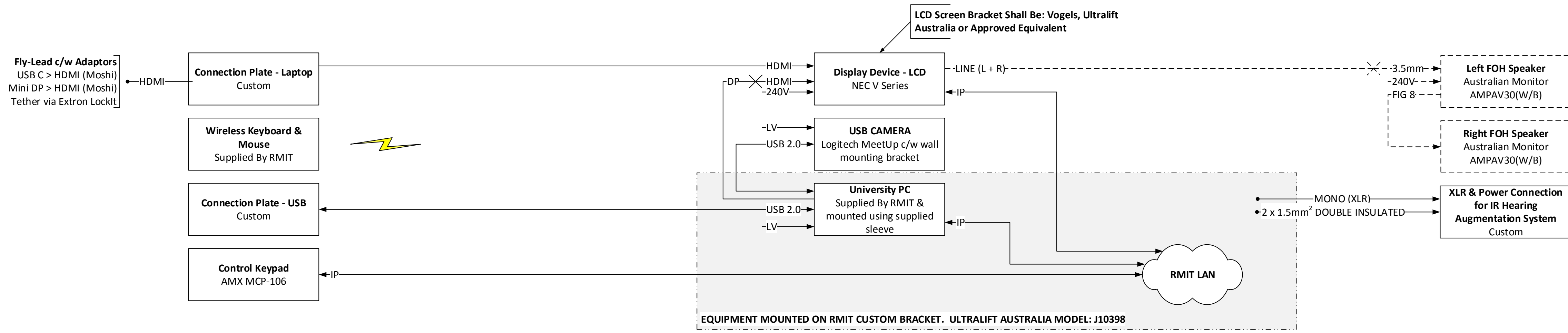
**ANY DEVIATION FROM THE ABOVE AV STANDARD MUST BE APPROVED BY RMIT AV**

REV	PURPOSE OF ISSUE	DATE	ISSUED BY	PAPER SIZE	SCALE	SHEET	DESIGNED	DRAWN	CHECKED	PROJECT REF NO	DOCUMENT REF NO	REV
A	ITS AVS 3.00 ISSUE	04 MAY 18	NK	A1	NTS	12 OF 18	NK	NK	AA	AV STANDARD	AV-S-11	A

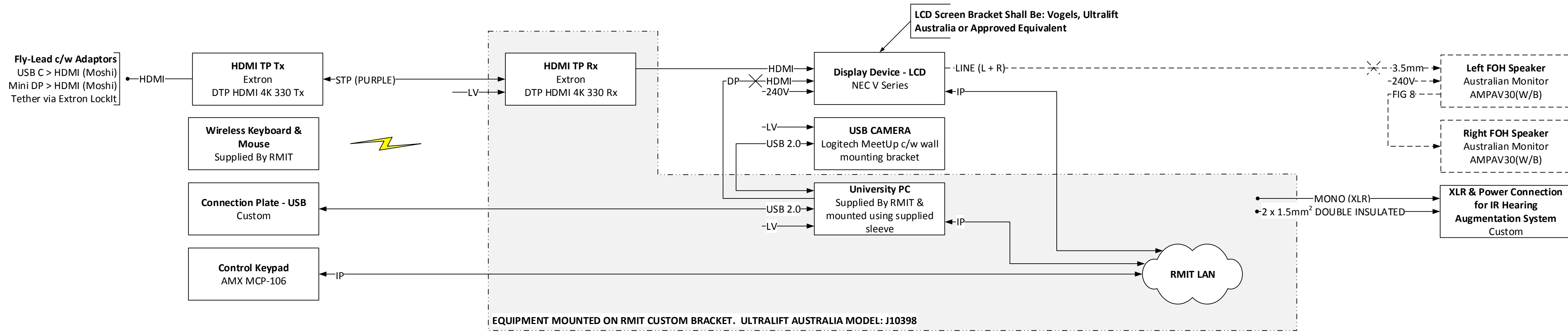
**RMIT UNIVERSITY**

DRAWING DESCRIPTION:  
AV SCHEMATIC  
MEETING/CONFERENCE ROOM (PROJECTION)

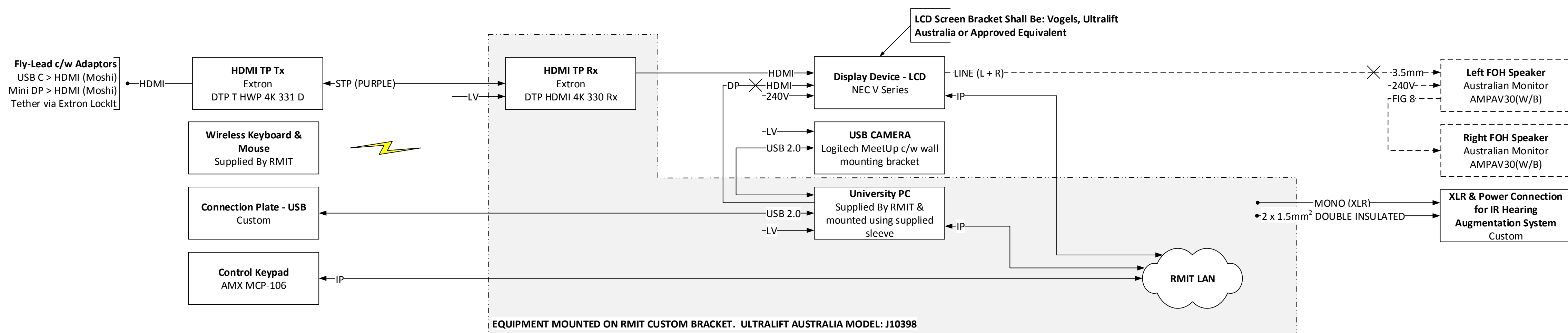
PROJECT NAME:  
RMIT AV STANDARDS



1 LCD (STANDARD)  
 - NTS



2 LCD (LAPTOP CONNECTION AT A TABLE VIA EXTENDERS)  
 - NTS



3 LCD (LAPTOP CONNECTION AT WALL VIA EXTENDERS)  
 - NTS

**NOTES - MEETING/CONFERENCE ROOM SPECIFIC**  
 1. Refer general notes on AV-S-00

**ANY DEVIATION FROM THE ABOVE AV STANDARD MUST BE APPROVED BY RMIT AV**

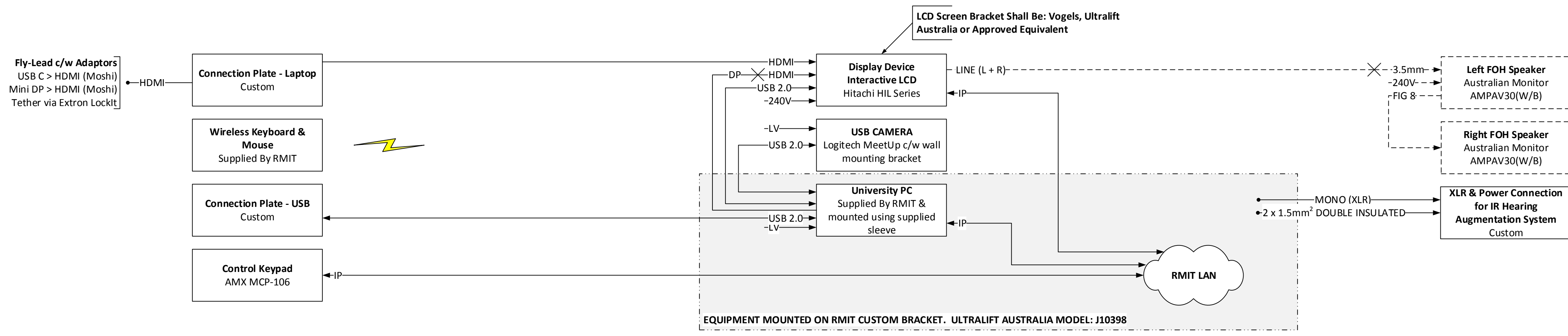
A	ITS AVS 3.00 ISSUE	04 MAY 18	NK	PAPER SIZE	SCALE	SHEET	DESIGNED	DRAWN	CHECKED	PROJECT REF NO	DOCUMENT REF NO	REV
REV	PURPOSE OF ISSUE	DATE	ISSUED BY	A1	NTS	13 OF 18	NK	NK	AA	AV STANDARD	AV-S-12	A

**RMIT UNIVERSITY**

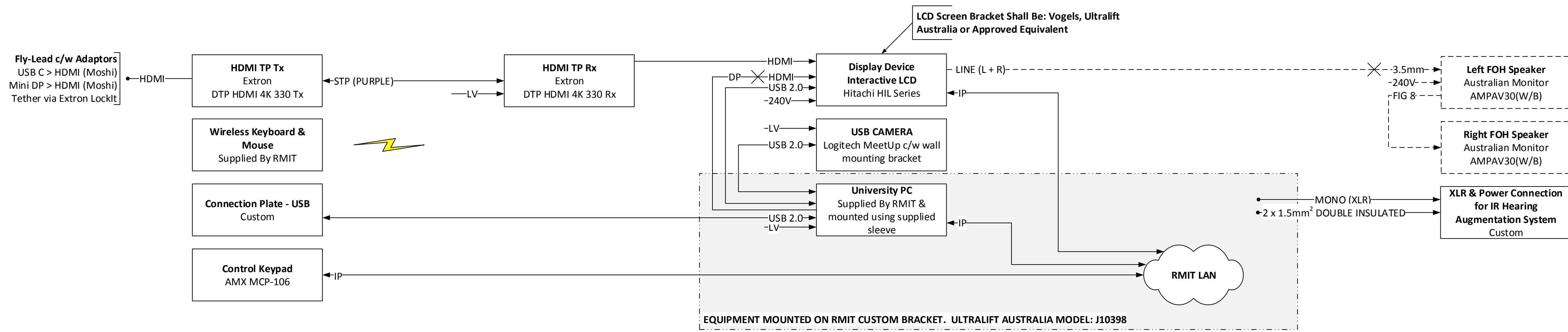
**DRIVING DESCRIPTION:**  
 AV SCHEMATIC  
 MEETING/CONFERENCE ROOM (LCD)

**PROJECT NAME:**

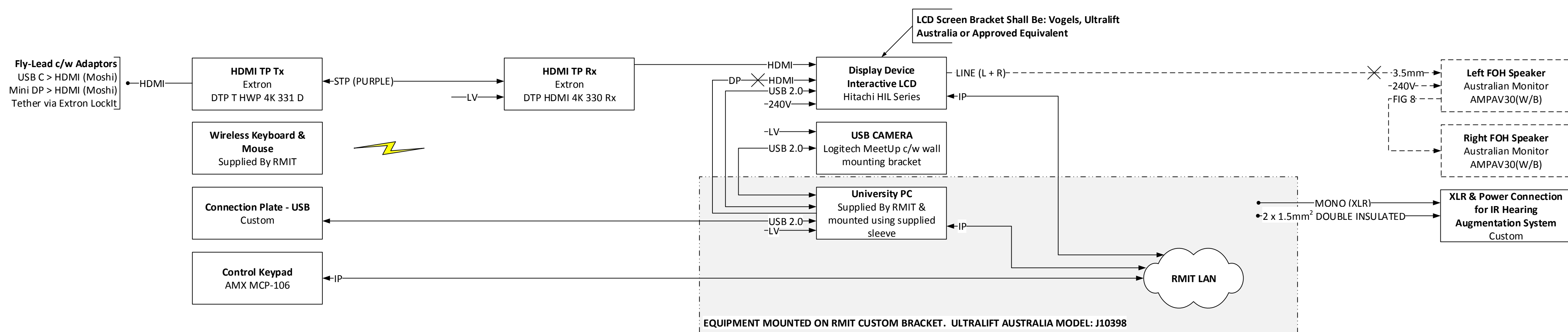
**RMIT AV STANDARDS**



1 INTERACTIVE LCD (STANDARD)  
 - NTS



2 INTERACTIVE LCD (LAPTOP CONNECTION AT A TABLE VIA EXTENDERS)  
 - NTS



3 INTERACTIVE LCD (LAPTOP CONNECTION AT WALL VIA EXTENDERS)  
 - NTS

**NOTES – MEETING/CONFERENCE ROOM SPECIFIC**  
 1. Refer general notes on AV-S-00

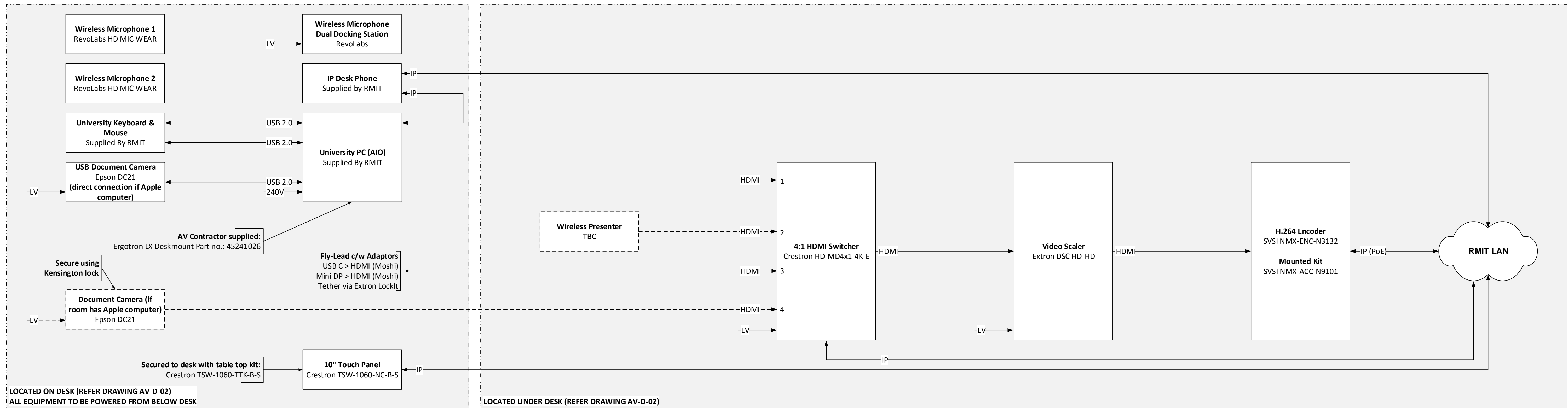
**ANY DEVIATION FROM THE ABOVE AV STANDARD MUST BE APPROVED BY RMIT AV**

REV	PURPOSE OF ISSUE	DATE	ISSUED BY	PAPER SIZE	SCALE	SHEET	DESIGNED	DRAWN	CHECKED	PROJECT REF NO	DOCUMENT REF NO	REV
A	ITS AVS 3.00 ISSUE	04 MAY 18	NK	A1	NTS	14 OF 18	NK	NK	AA	AV STANDARD	AV-S-13	A

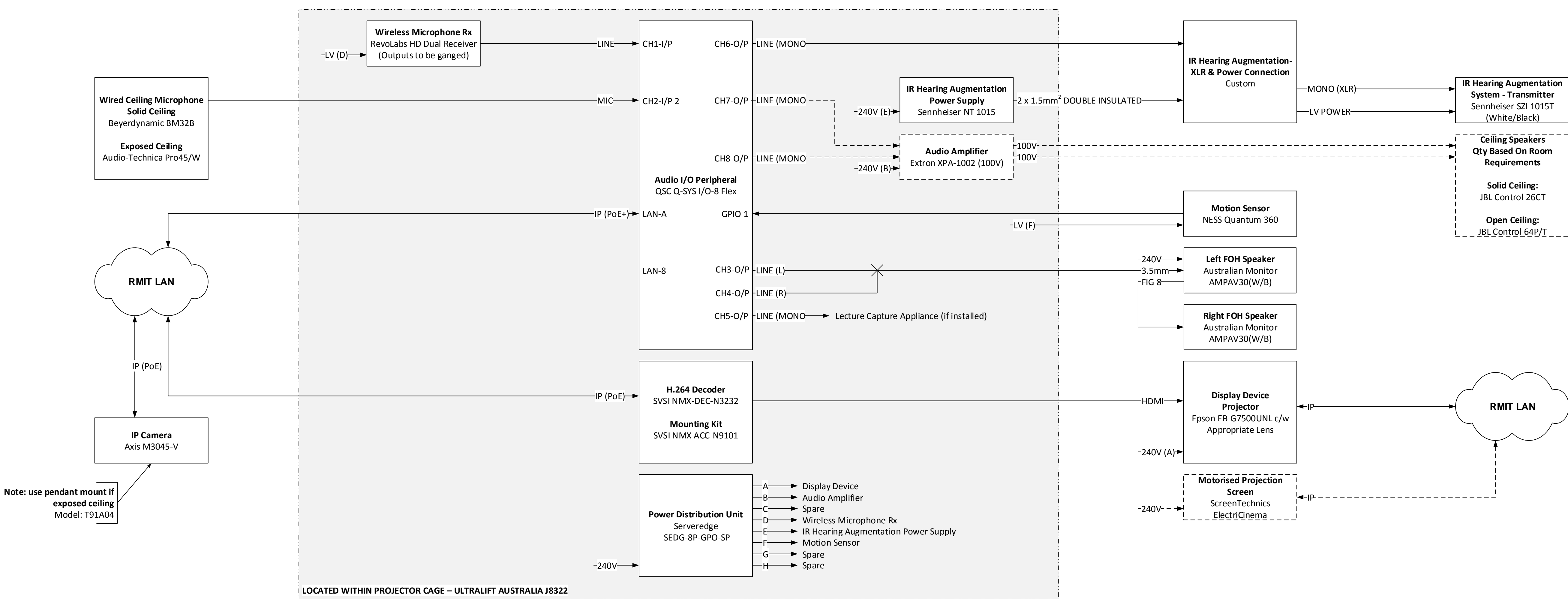
**RMIT UNIVERSITY**

DRIVING DESCRIPTION:  
 AV SCHEMATIC  
 MEETING/CONFERENCE ROOM (INTERACTIVE LCD)

PROJECT NAME:  
 RMIT AV STANDARDS



1  
-  
ACADEMIC'S DESK LOCATION  
NTS



2  
-  
DISPLAY LOCATION  
NTS

**NOTES – FLAT-FLOOR TEACHING SPACE SPECIFIC**  
 1. Refer general notes on AV-S-00  
 2. Refer AV-S-07 if there is a requirement for supplementary displays

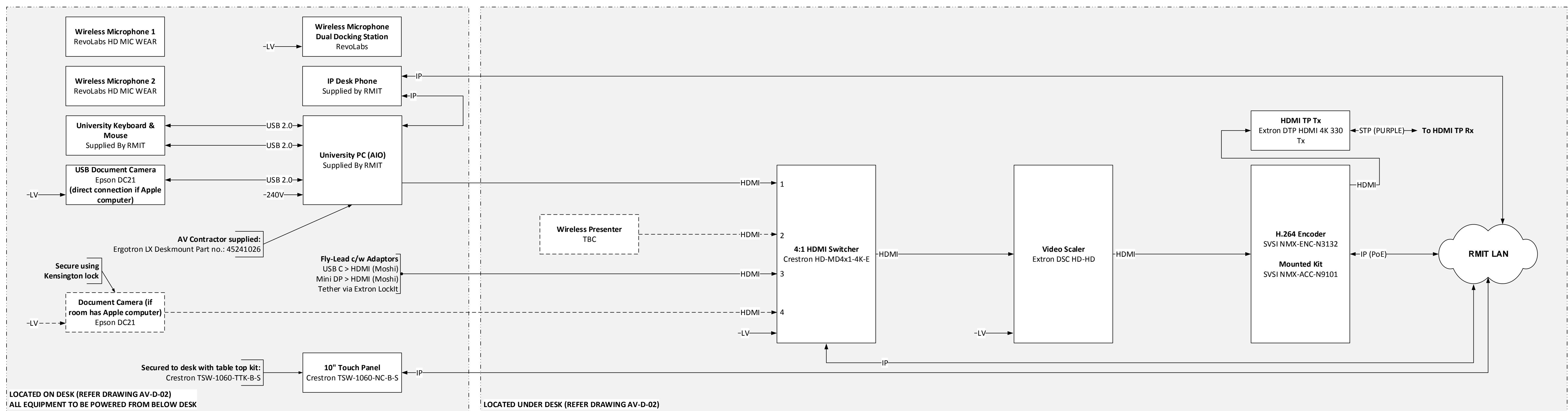
**ANY DEVIATION FROM THE ABOVE AV STANDARD MUST BE APPROVED BY RMIT AV**

REV	DESCRIPTION	DATE	ISSUED BY	PAPER SIZE	SCALE	SHEET	DESIGNED	DRAWN	CHECKED	PROJECT REF NO	DOCUMENT REF NO	REV
A	ITS AVS 3.00 ISSUE	04 MAY 18	NK	A1	NTS	15 OF 18	NK	NK	AA	AV STANDARD	AV-S-14	A

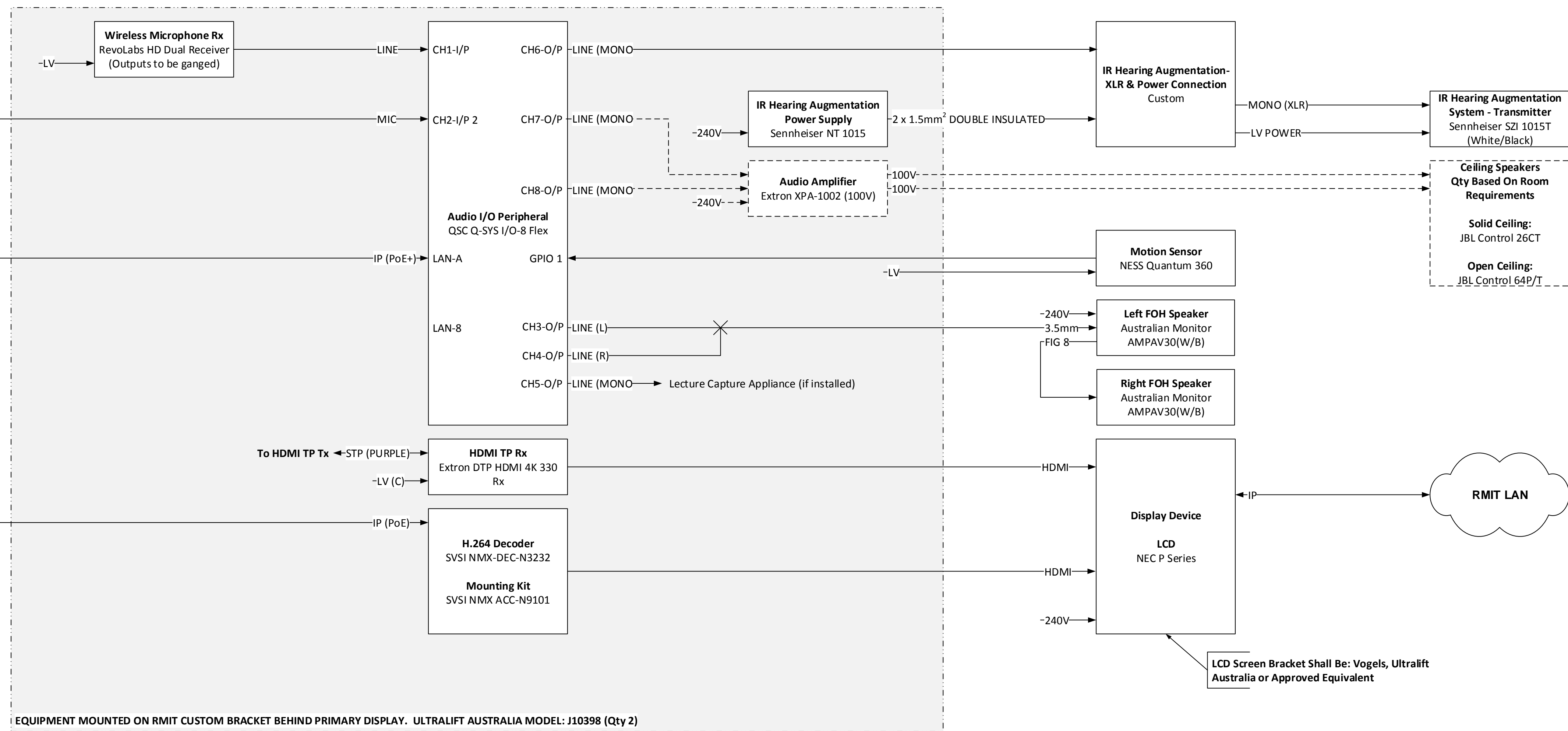
**RMIT UNIVERSITY**

**DRIVING DESCRIPTION:**  
 AV SCHEMATIC  
 FLAT-FLOOR TEACHING (PROJECTION)

**PROJECT NAME:**  
 RMIT AV STANDARDS



1  
-  
ACADEMIC'S DESK LOCATION  
NTS



2  
-  
DISPLAY LOCATION  
NTS

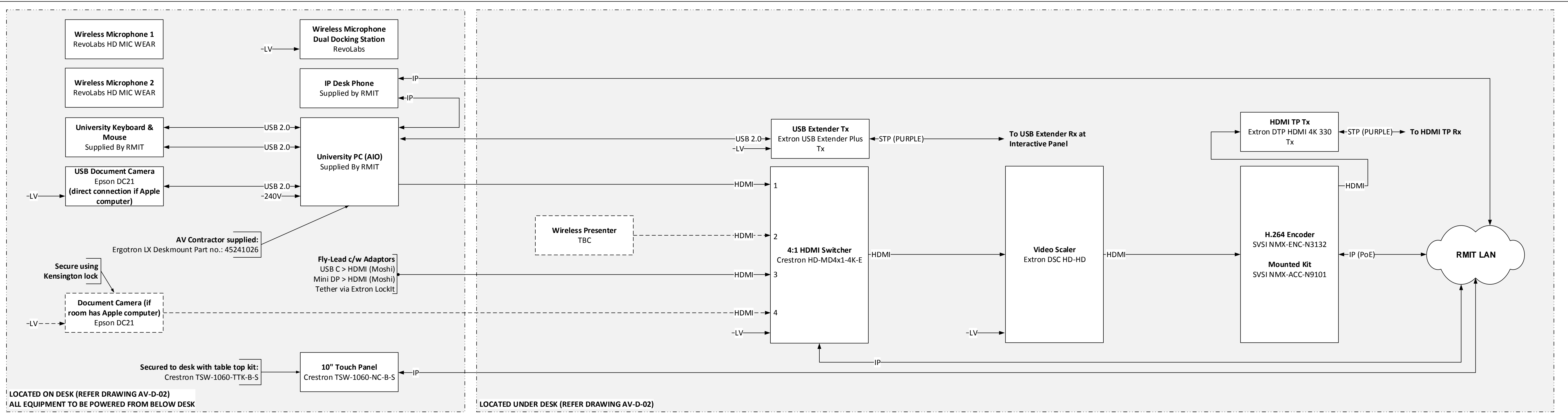
**NOTES – FLAT-FLOOR TEACHING SPACE SPECIFIC**  
1. Refer general notes on AV-S-00  
2. Refer AV-S-07 if there is a requirement for supplementary displays

ANY DEVIATION FROM THE ABOVE AV STANDARD MUST BE APPROVED BY RMIT AV

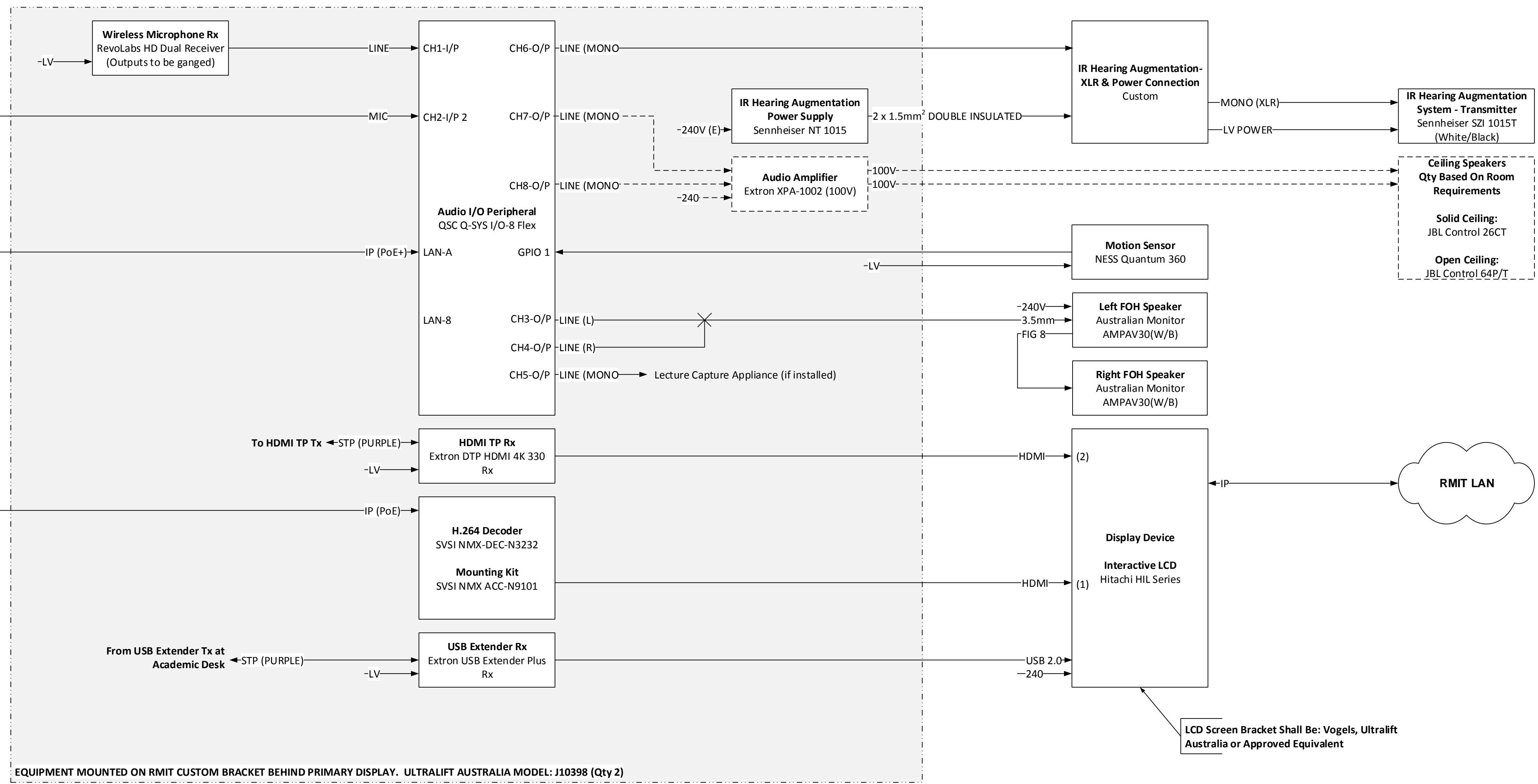
A		ITS AVS 3.00 ISSUE		04 MAY 18	NK	PAPER SIZE	SCALE	SHEET	DRAWING DESCRIPTION					
REV		PURPOSE OF ISSUE		DATE	ISSUED BY	A1	NTS	16 OF 18	AV SCHEMATIC FLAT-FLOOR TEACHING (LCD)					
RMIT AV STANDARDS									DESIGNED	DRAWN	CHECKED	PROJECT REF NO	DOCUMENT REF NO	REV
									NK	NK	AA	AV STANDARD	AV-S-15	A







1  
-  
ACADEMIC'S DESK LOCATION  
NTS



2  
-  
DISPLAY LOCATION  
NTS

**NOTES – FLAT-FLOOR TEACHING SPACE SPECIFIC**  
 1. Refer general notes on AV-S-00  
 2. Refer AV-S-07 if there is a requirement for supplementary displays

**ANY DEVIATION FROM THE ABOVE AV STANDARD MUST BE APPROVED BY RMIT AV**

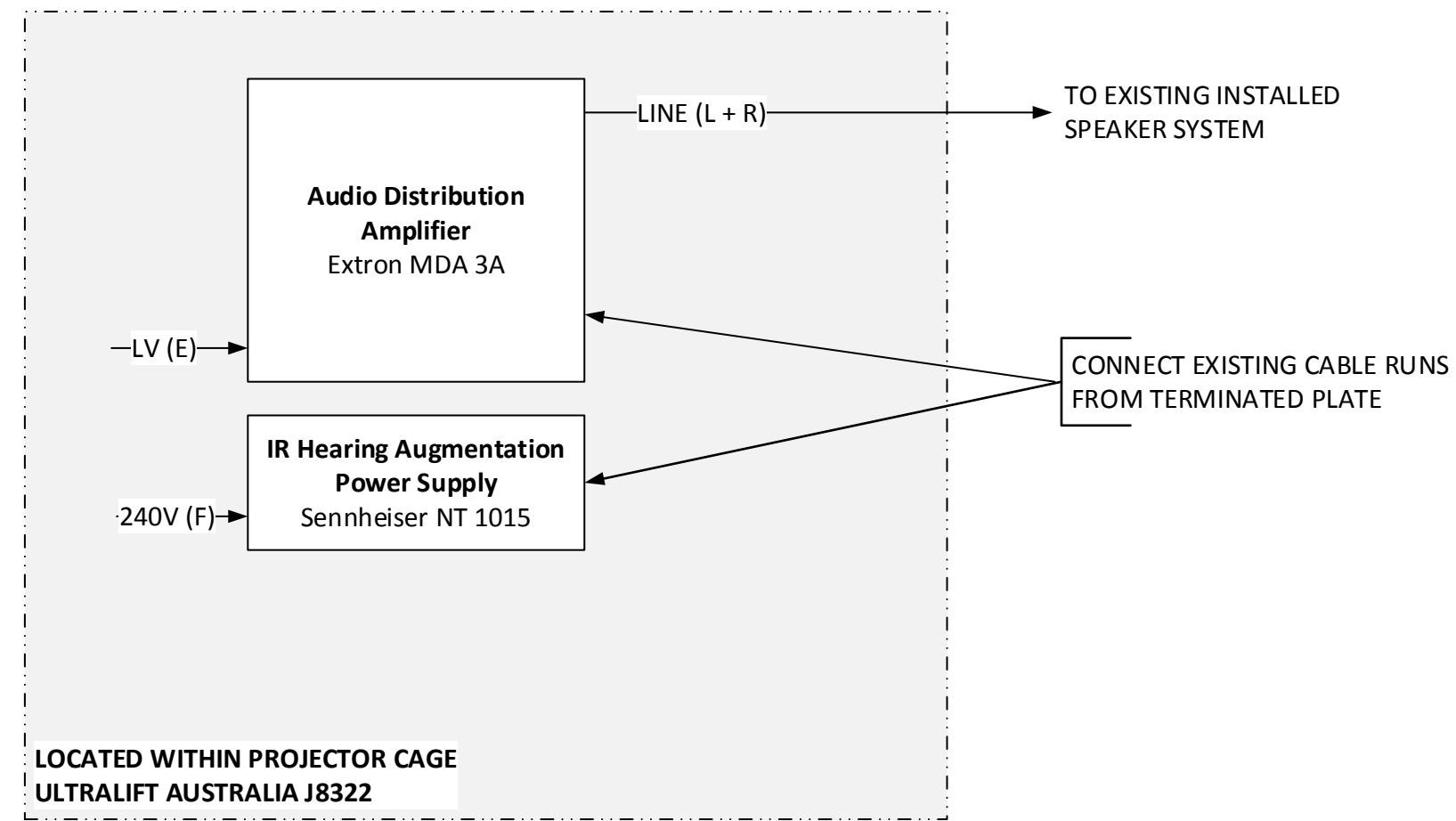
A		ITS AVS 3.00 ISSUE		04 MAY 18		NK		PAPER SIZE	SCALE	SHEET	DRAWING DESCRIPTION					
REV		PURPOSE OF ISSUE	DATE	ISSUED BY				A1	NTS	17 OF 18	DESIGNED	DRAWN	CHECKED	PROJECT REF NO	DOCUMENT REF NO	REV
											NK	NK	AA	AV STANDARD	AV-S-16	A

**RMIT UNIVERSITY**

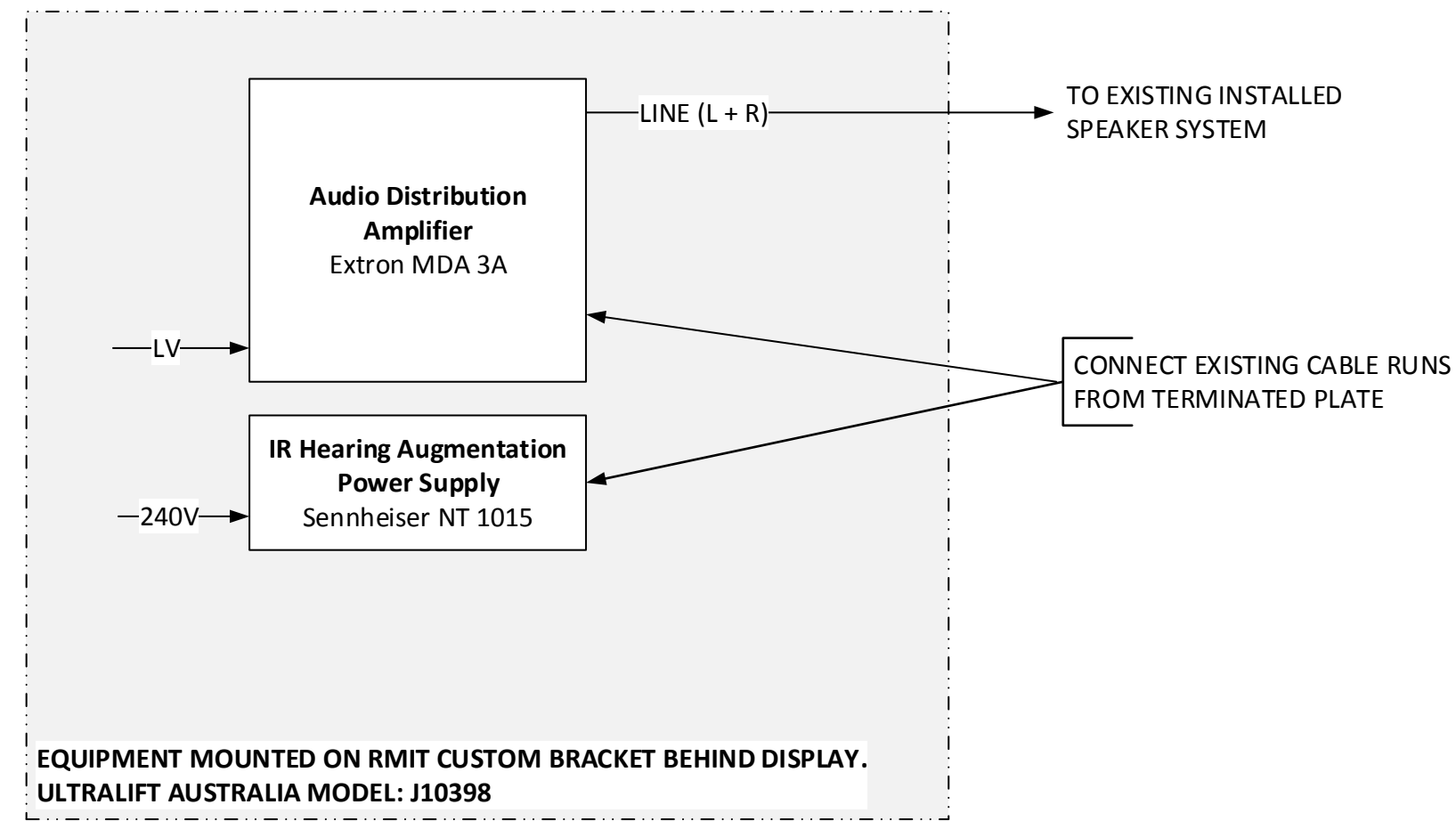
AV SCHEMATIC  
 FLAT-FLOOR TEACHING (LCD - INTERACTIVE)

PROJECT NAME

RMIT AV STANDARDS



1 ADD ASSISTIVE HEARING FOR PROJECTION SYSTEM  
NTS



2 ADD ASSISTIVE HEARING FOR LCD SCREEN SYSTEM  
NTS